

Note: R100, R101, R102, R104, R105 value:

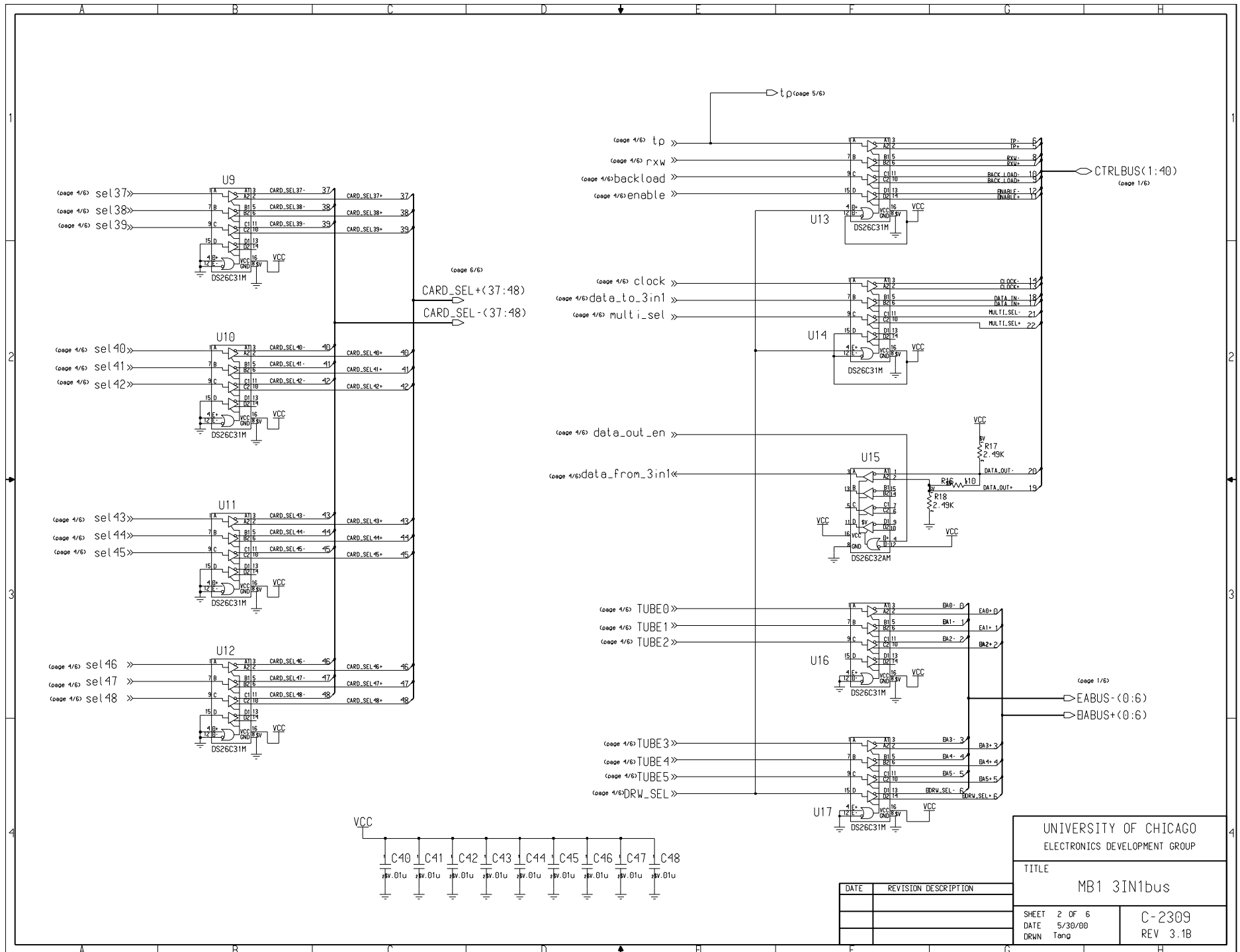
Mezzanine Card	Input Source	R100	R101	R102	R104	R105
v3.0	Differential	48.7	48.7	1.5K	0	open
v3.0	Single-end	open	0	0	0	0

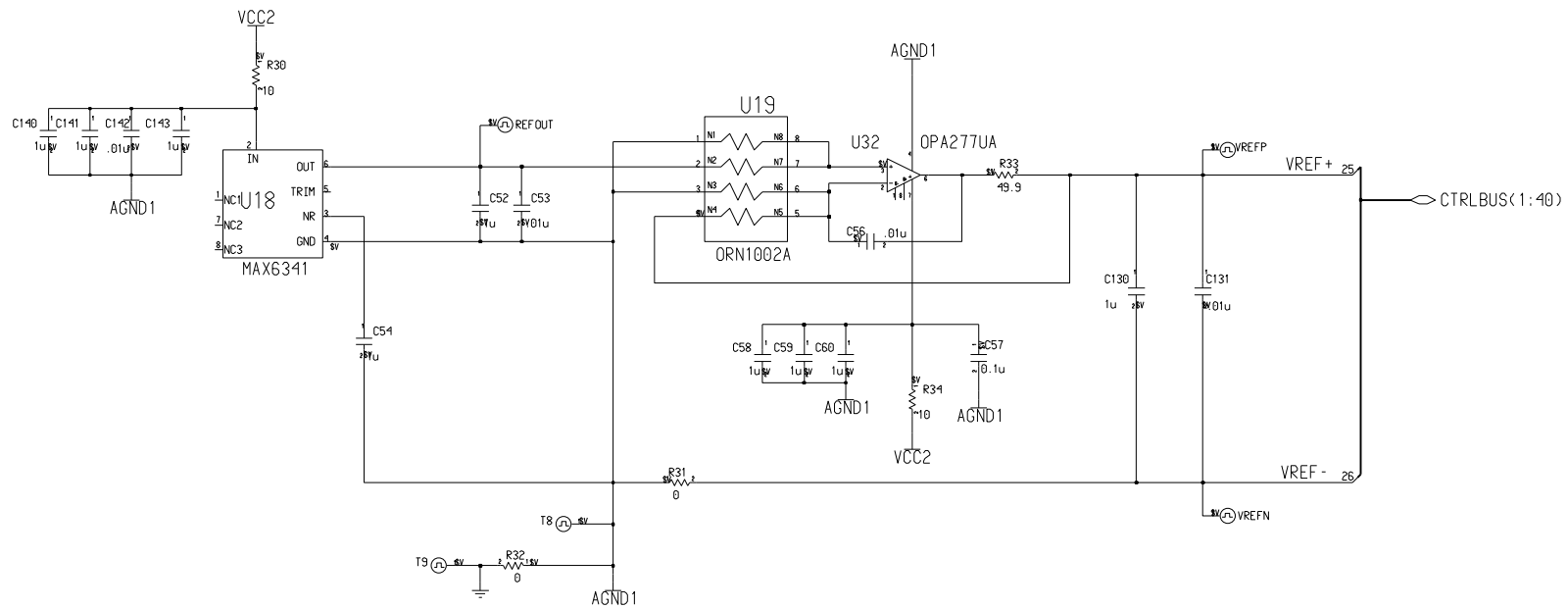
UNIVERSITY OF CHICAGO
ELECTRONICS DEVELOPMENT GROUP

TITLE
MB1 DIAGRAM

DATE	REVISION	DESCRIPTION

SHEET 1 OF 6	C-2309
DATE 5/30/00	REV 3.1B
DRWN Temp	

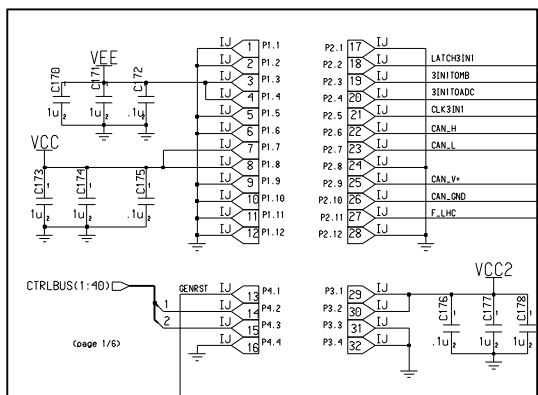




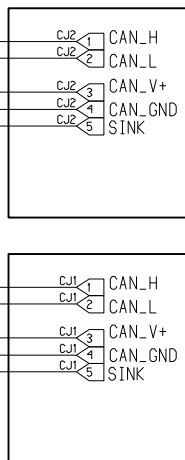
UNIVERSITY OF CHICAGO ELECTRONICS DEVELOPMENT GROUP	
TITLE MB1 Reference	
SHEET 3 OF 6	C-2309
DATE 5/30/00	REV 3.1B
DRWN Temp	

DATE	REVISION DESCRIPTION

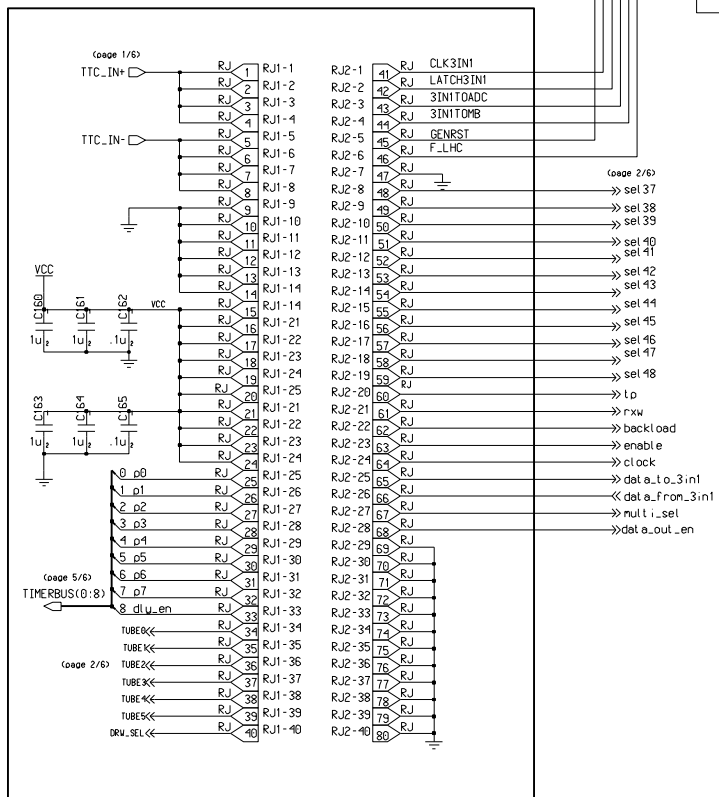
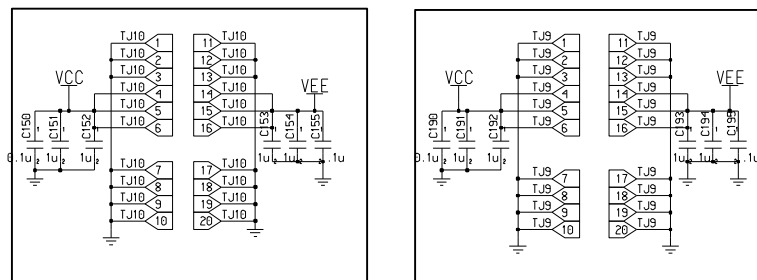
IJ: Interconnector to Integrator ADC Card



CJ: Canbus connector to patch panel

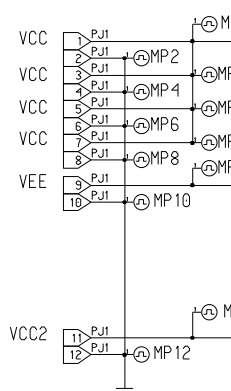


TJ1, TJ2: Interconnector to trigger cards

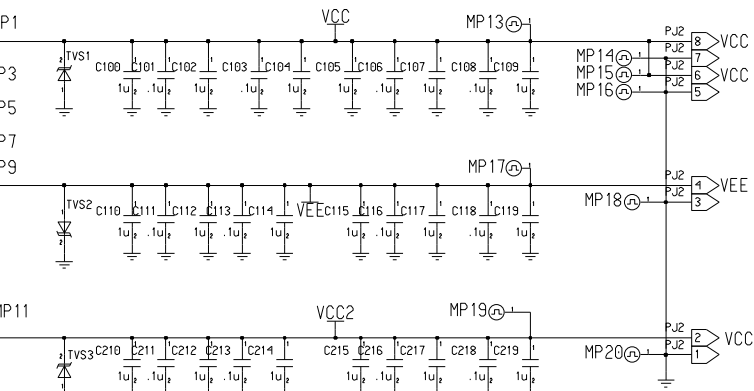


RJ: TTC Receiver card connectors

JP1: Power input Connector



JP2: Power output Connector

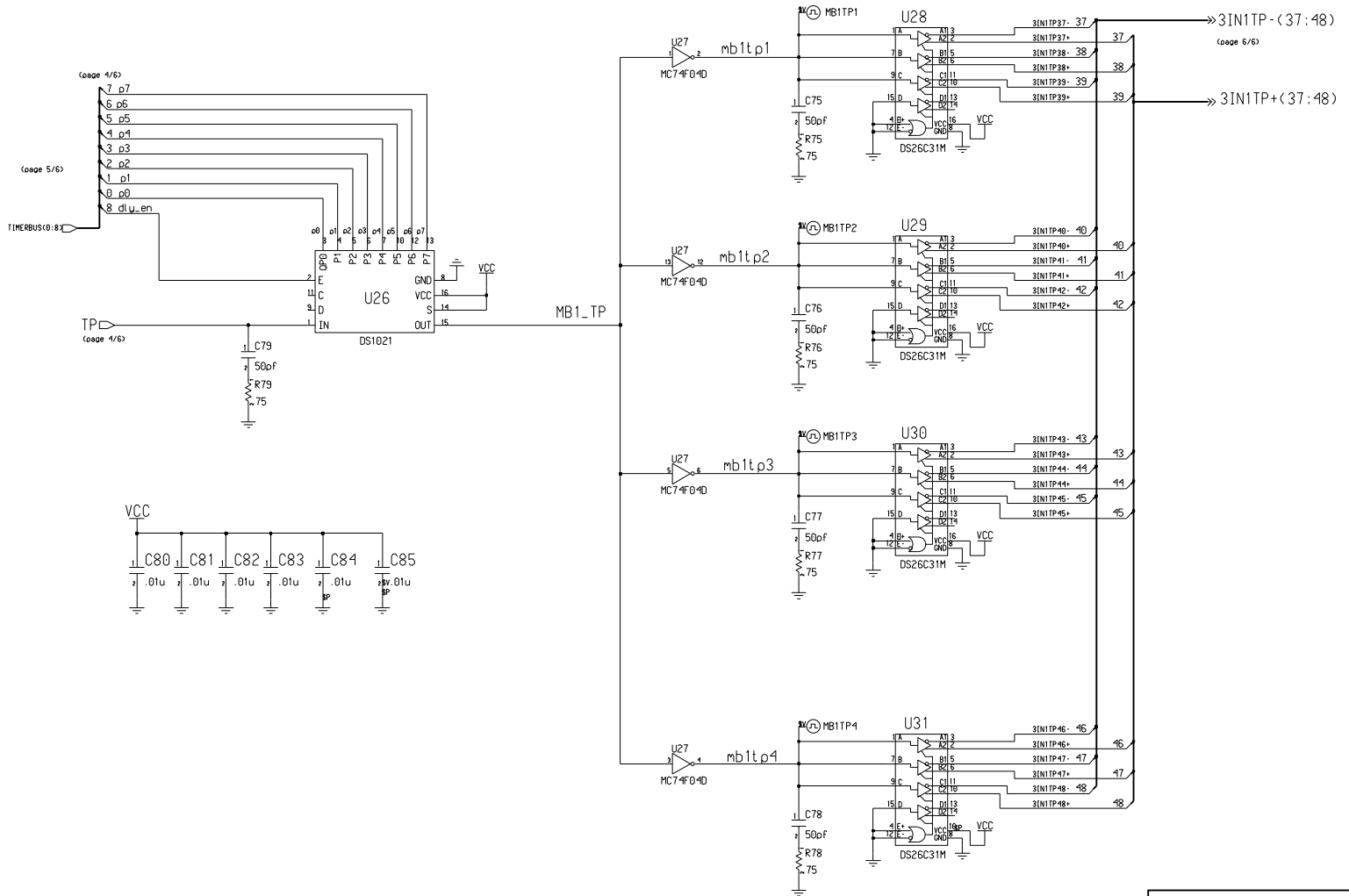


UNIVERSITY OF CHICAGO
ELECTRONICS DEVELOPMENT GROUP

TITLE
MB1 funtional connectors

DATE	REVISION	DESCRIPTION

SHEET 4 OF 6	C-2309
DATE 5/30/00	REV 3.1B
DRWN Temp	

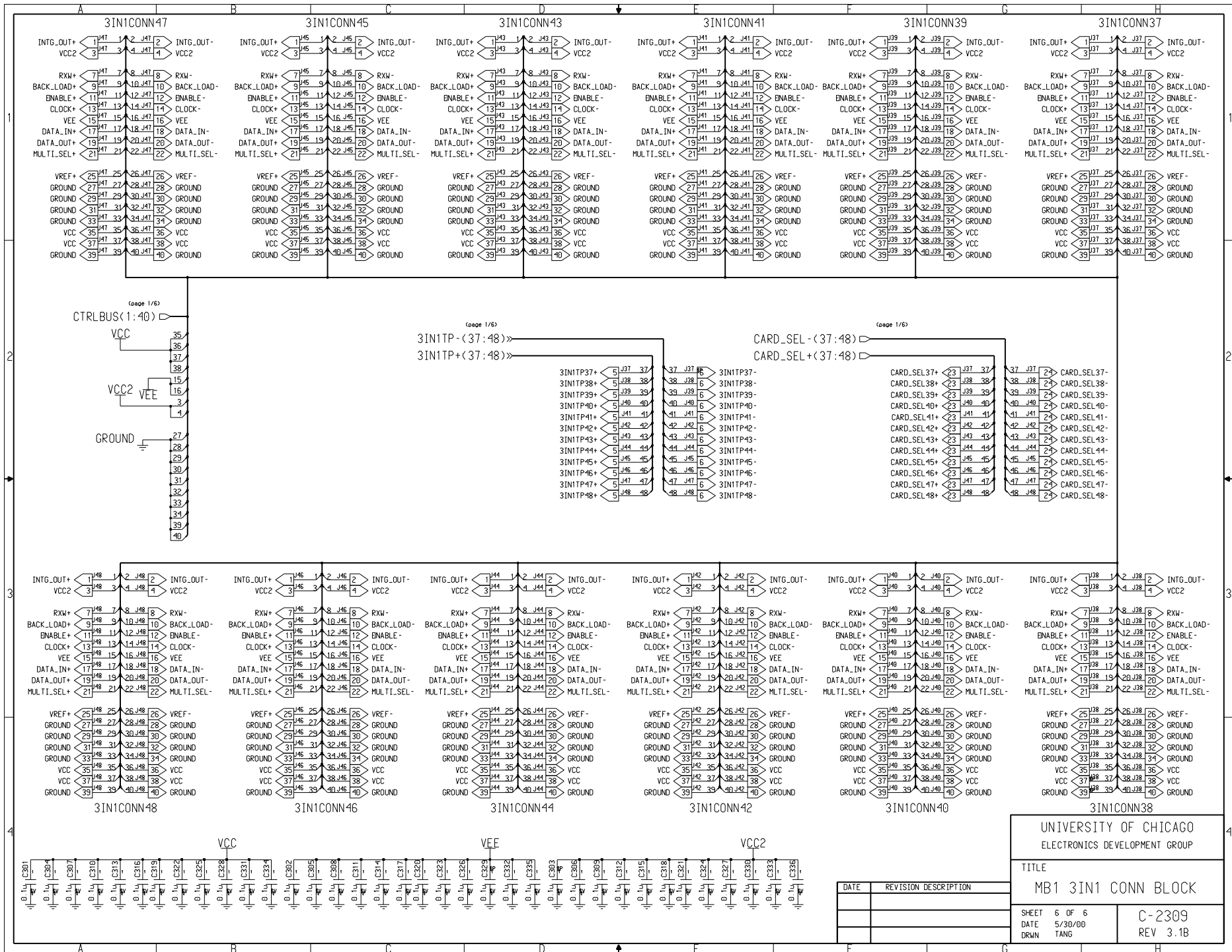


UNIVERSITY OF CHICAGO
ELECTRONICS DEVELOPMENT GROUP

TITLE
MB1 TP DISTRIBUTOR

DATE	REVISION	DESCRIPTION

SHEET 5 OF 6	C-2309
DATE 5/30/00	REV 3.1B
DRWN Temp	



UNIVERSITY OF CHICAGO
ELECTRONICS DEVELOPMENT GROUP

TITLE
MB1 31IN1 CONN BLOCK

SHEET 6 OF 6
DATE 5/30/00
DRWN TANG

C-2309
REV 3.1B

DATE	REVISION	DESCRIPTION