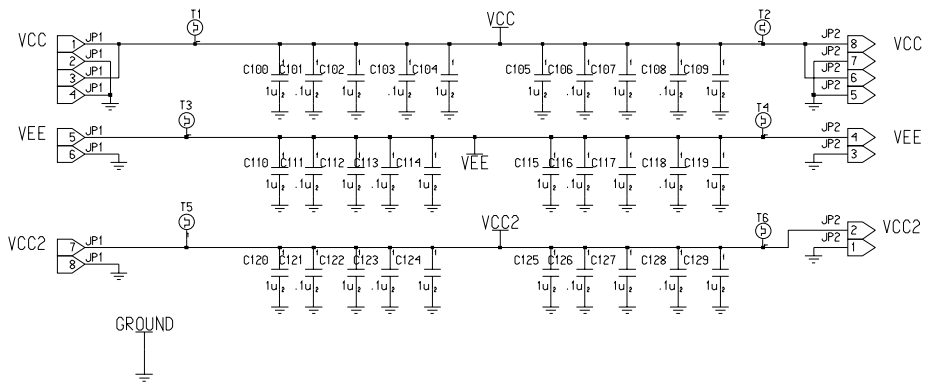
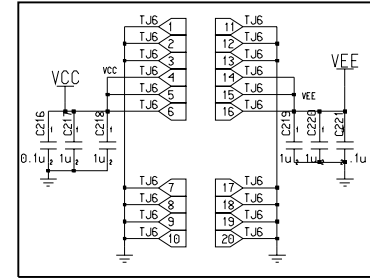
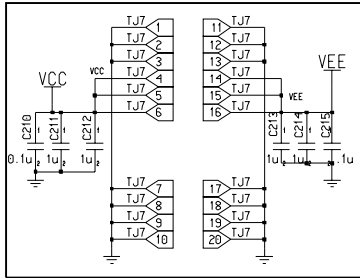
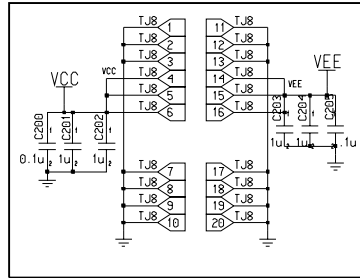
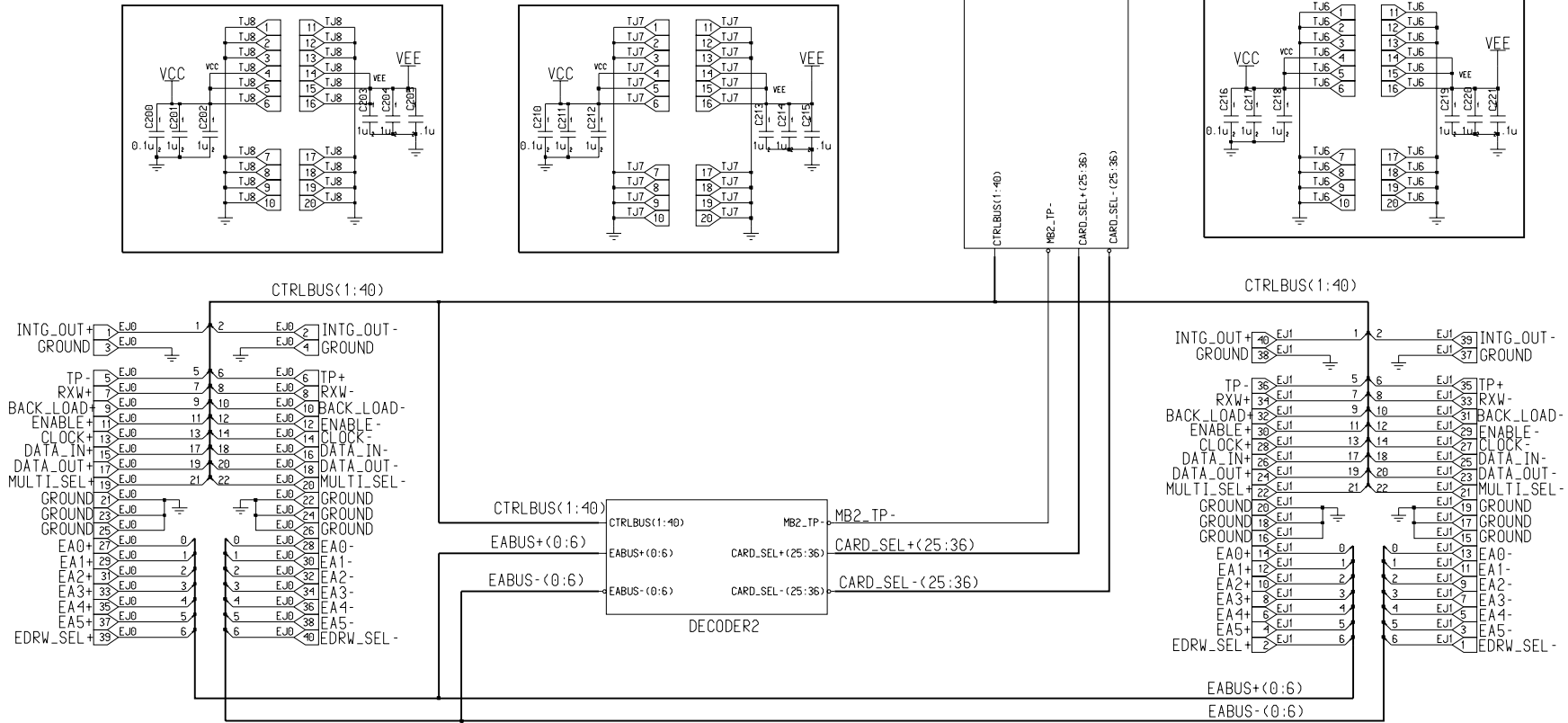


TJ3, TJ4, TJ5: Interconnectors between MB2 and Trigger Cards

3IN1BUS_CONN25-36

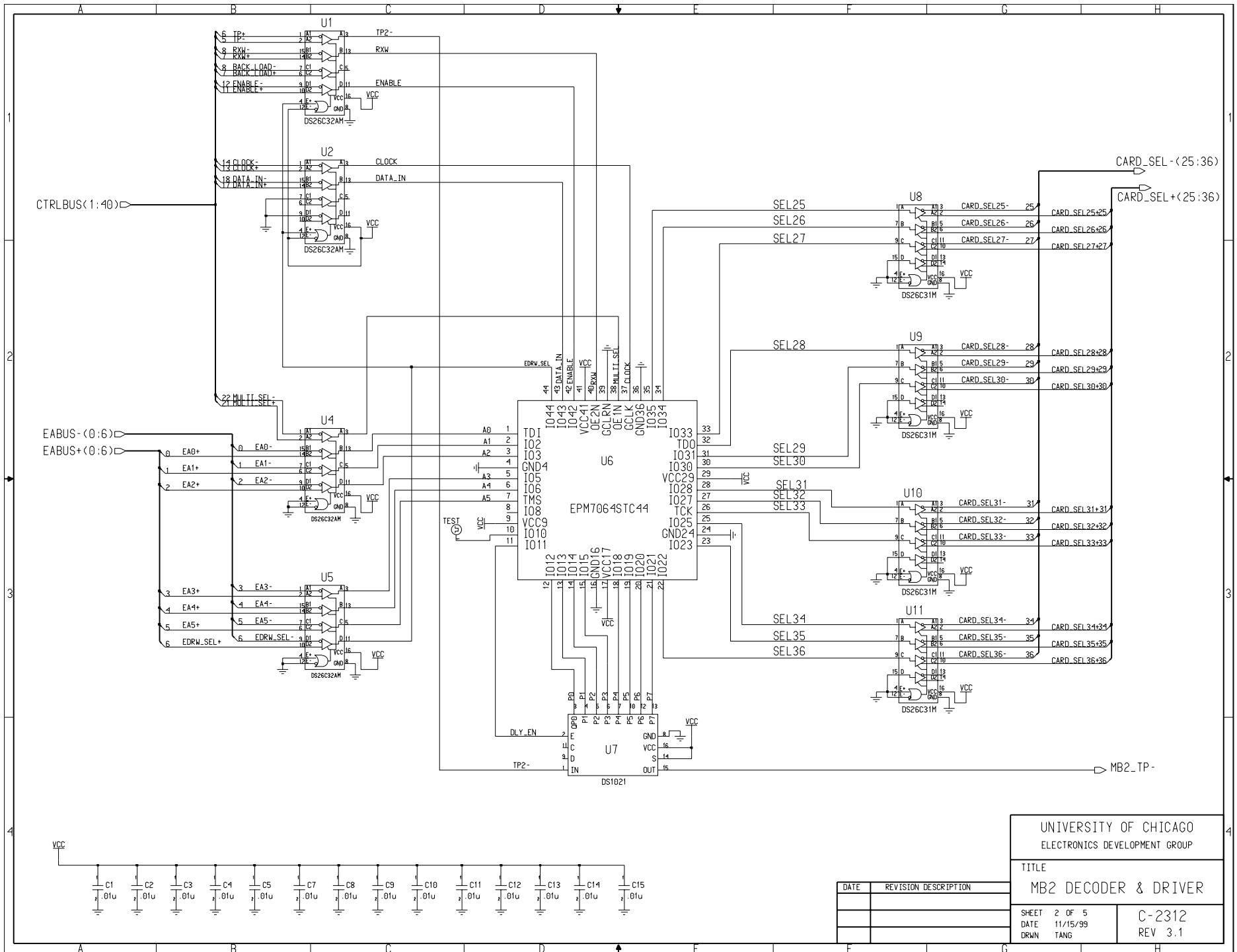


SPC# C-2311
SCH# C-2312
ASM# C-2313

UNIVERSITY OF CHICAGO ELECTRONICS DEVELOPMENT GROUP	
TITLE MB2 DIAGRAM	
SHEET 1 OF 5	C-2312
DATE 11/15/99	REV 3.1
DRWN TANG	

VCC=+5V
VEE=-5V
VCC2=+15V

DATE	REVISION DESCRIPTION



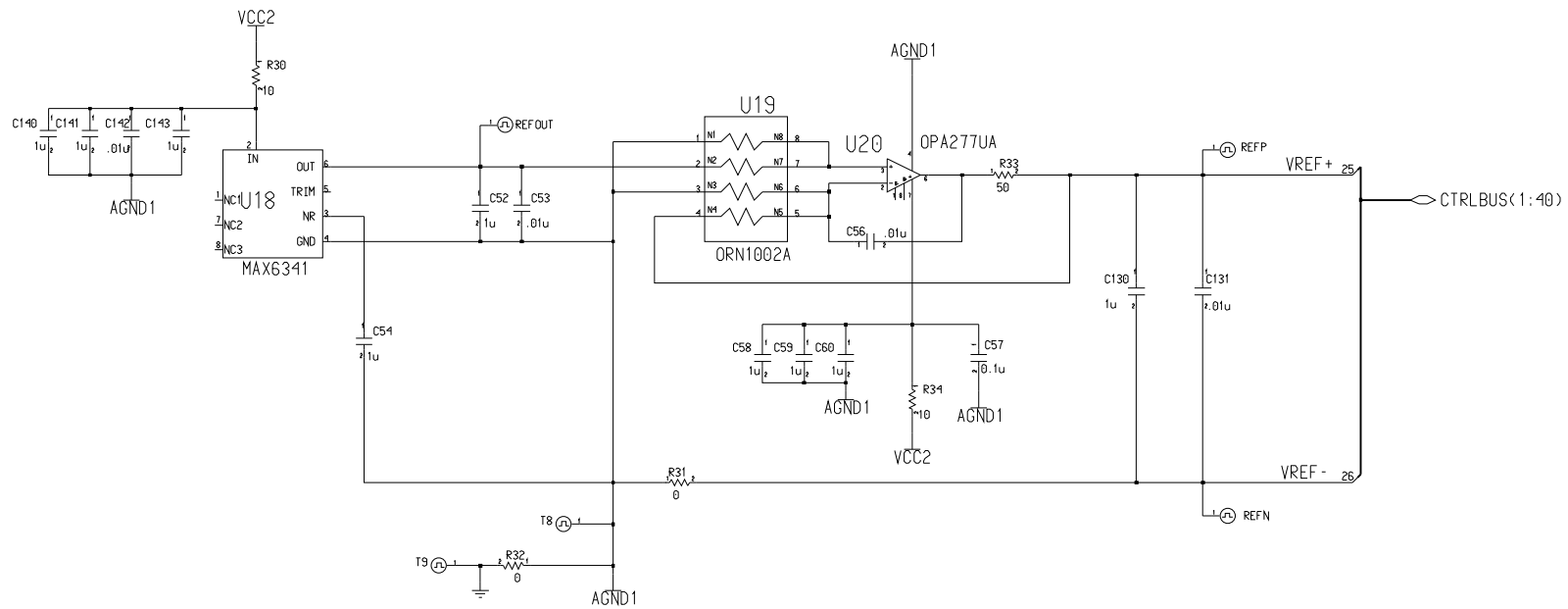
UNIVERSITY OF CHICAGO
ELECTRONICS DEVELOPMENT GROUP

TITLE
MB2 DECODER & DRIVER

SHEET 2 OF 5
DATE 11/15/99
DRWN TANG

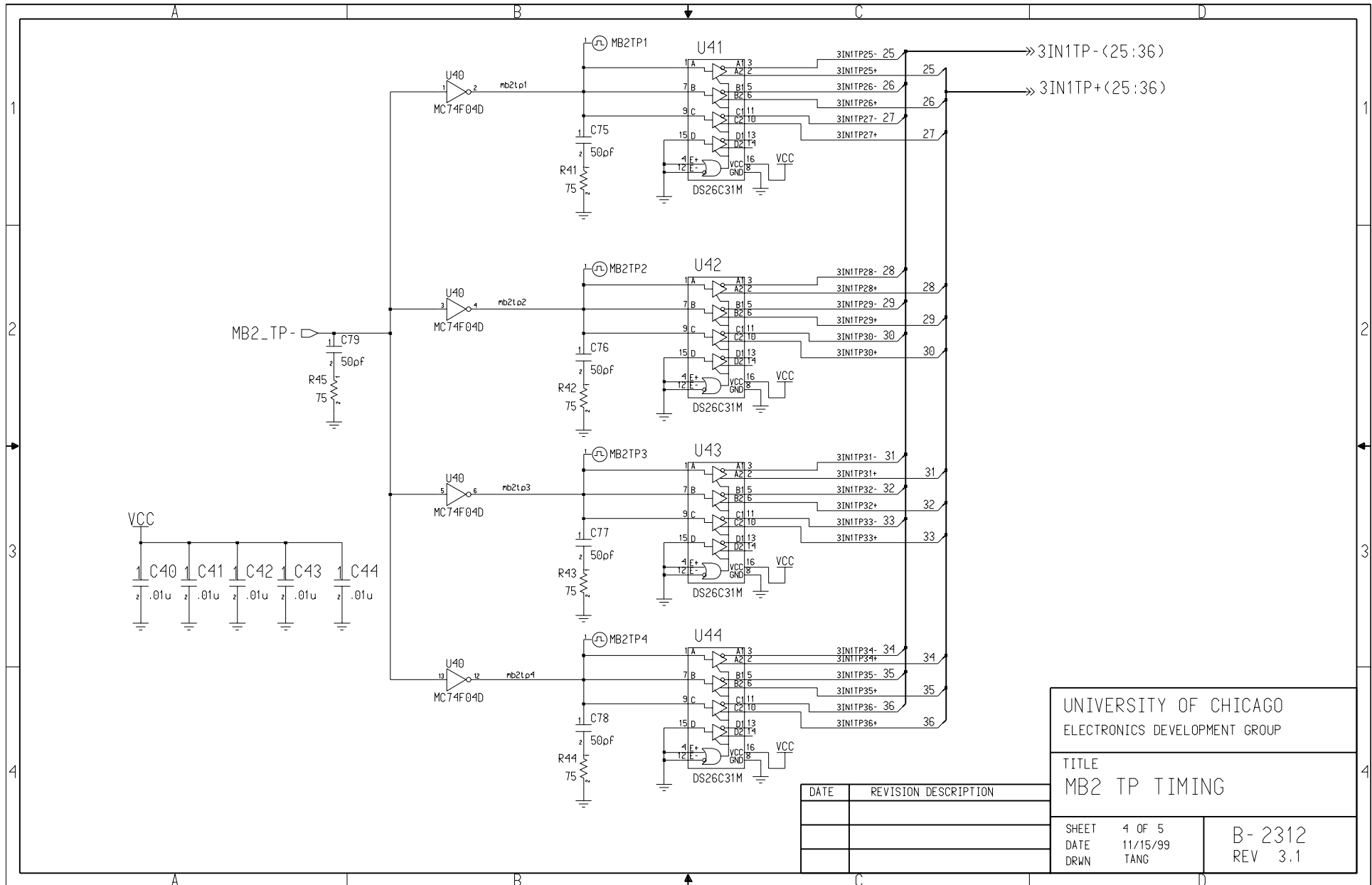
C-2312
REV 3.1

DATE	REVISION	DESCRIPTION



UNIVERSITY OF CHICAGO ELECTRONICS DEVELOPMENT GROUP	
TITLE MB2 Reference	
SHEET 3 OF 5	C-2312
DATE 11/15/99	REV 3.1
DRWN Temp	

DATE	REVISION DESCRIPTION

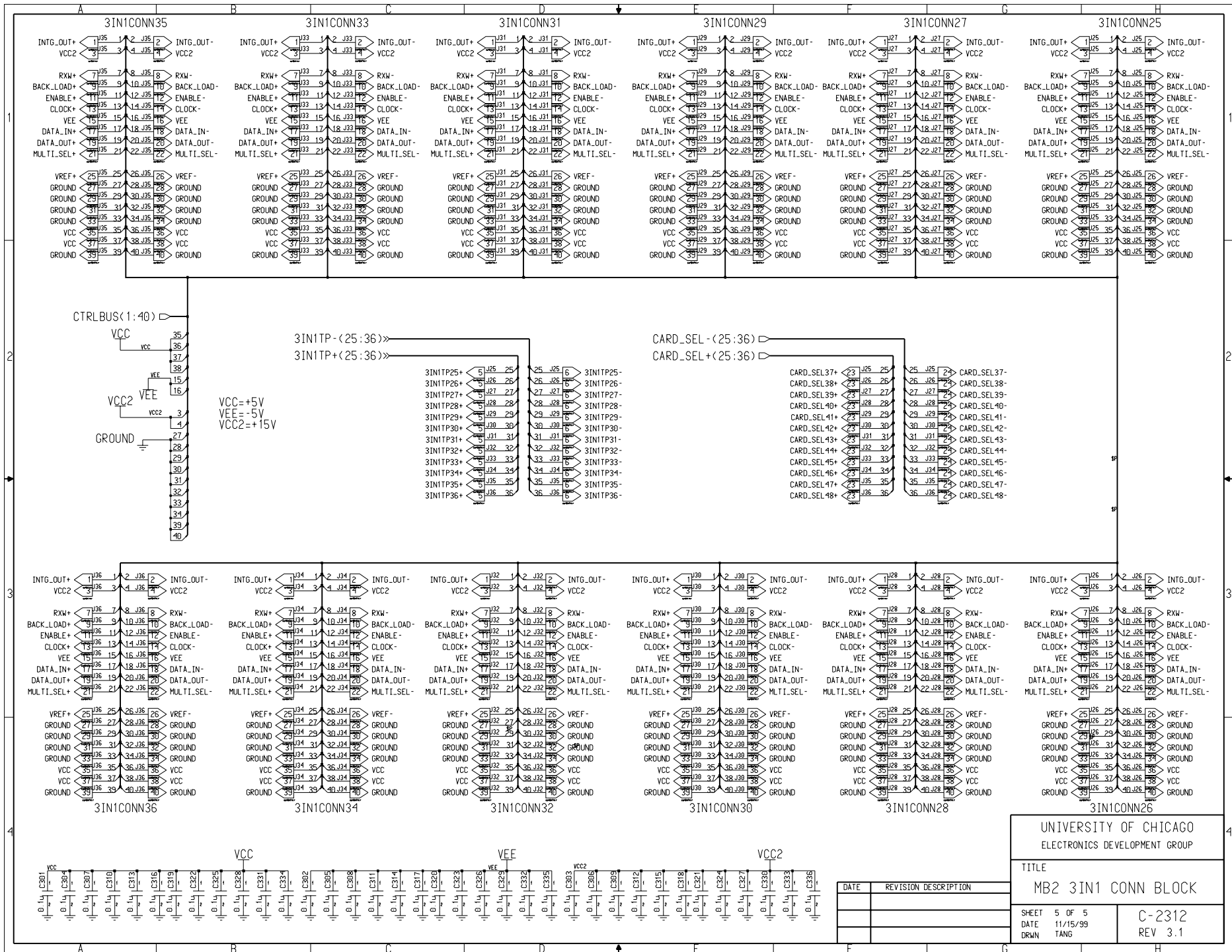


UNIVERSITY OF CHICAGO
ELECTRONICS DEVELOPMENT GROUP

TITLE
MB2 TP TIMING

DATE	REVISION	DESCRIPTION

SHEET	4 OF 5	B-2312 REV 3.1
DATE	11/15/99	
DRWN	TANG	



UNIVERSITY OF CHICAGO
ELECTRONICS DEVELOPMENT GROUP

TITLE
MB2 3IN1 CONN BLOCK

SHEET 5 OF 5
DATE 11/15/99
DRWN TANG

C-2312
REV 3.1

DATE	REVISION	DESCRIPTION