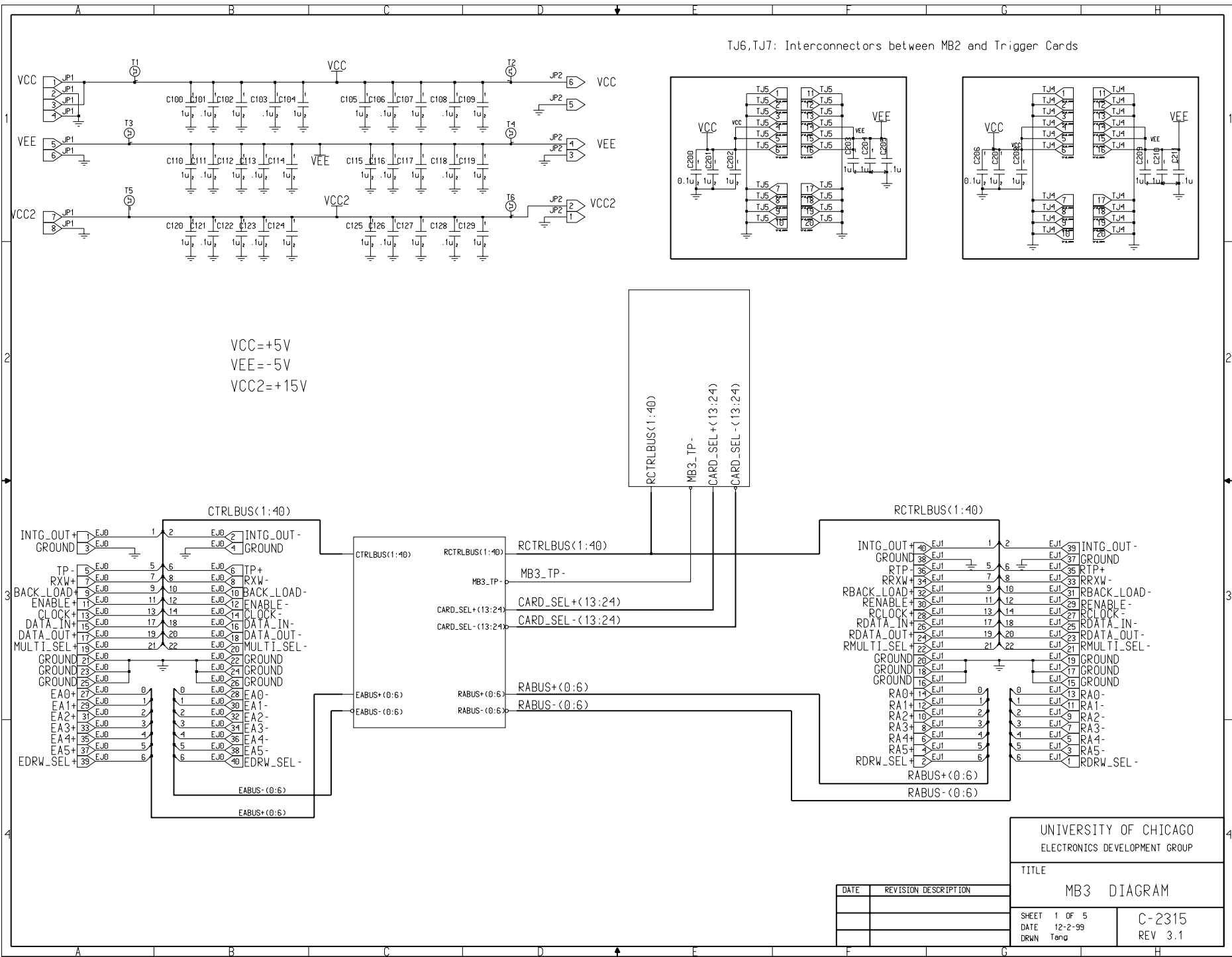


TJ6, TJ7: Interconnectors between MB2 and Trigger Cards



VCC=+5V
VEE=-5V
VCC2=+15V

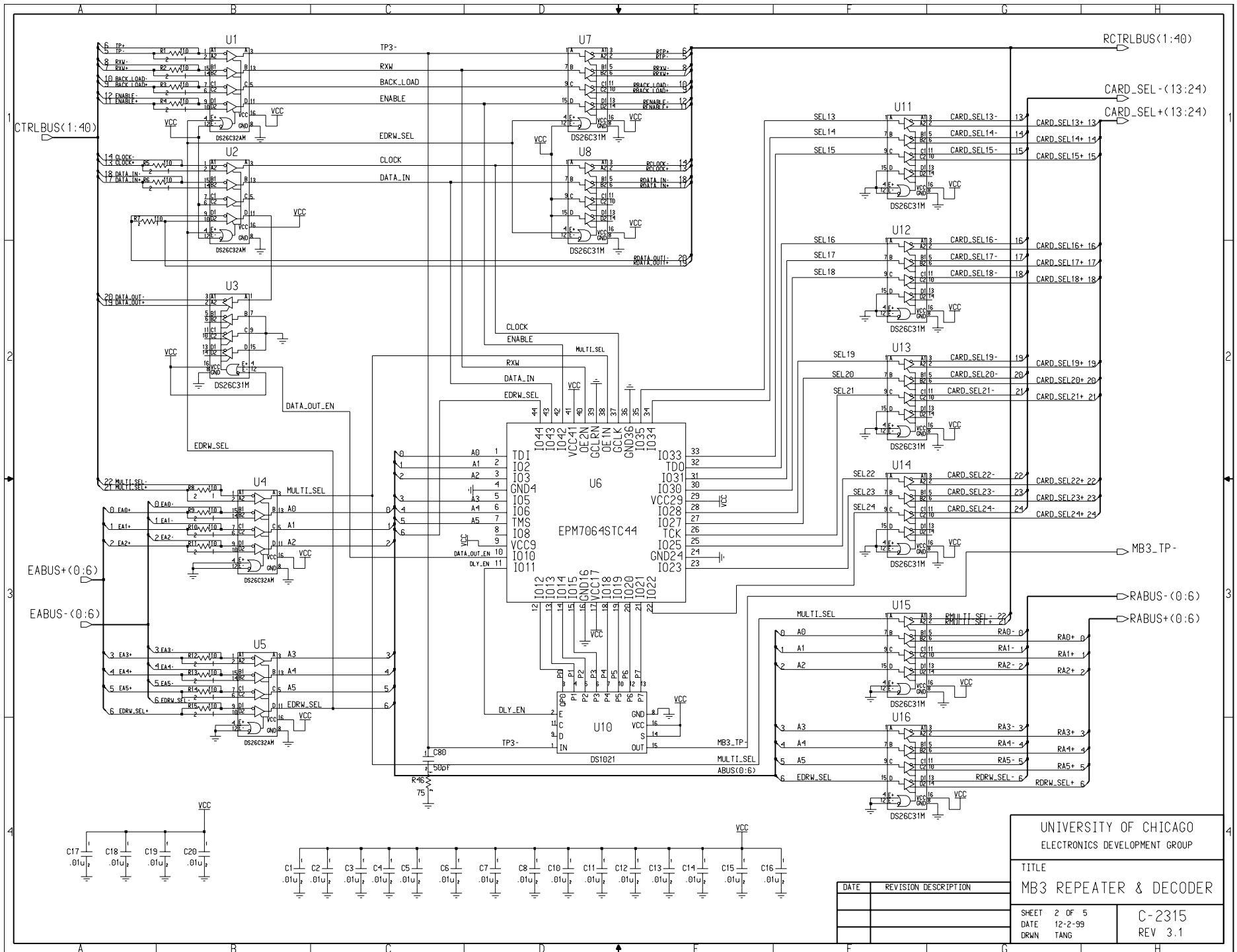
UNIVERSITY OF CHICAGO
ELECTRONICS DEVELOPMENT GROUP

TITLE
MB3 DIAGRAM

DATE	REVISION	DESCRIPTION

SHEET 1 OF 5
DATE 12-2-99
DRWN Temp

C-2315
REV 3.1



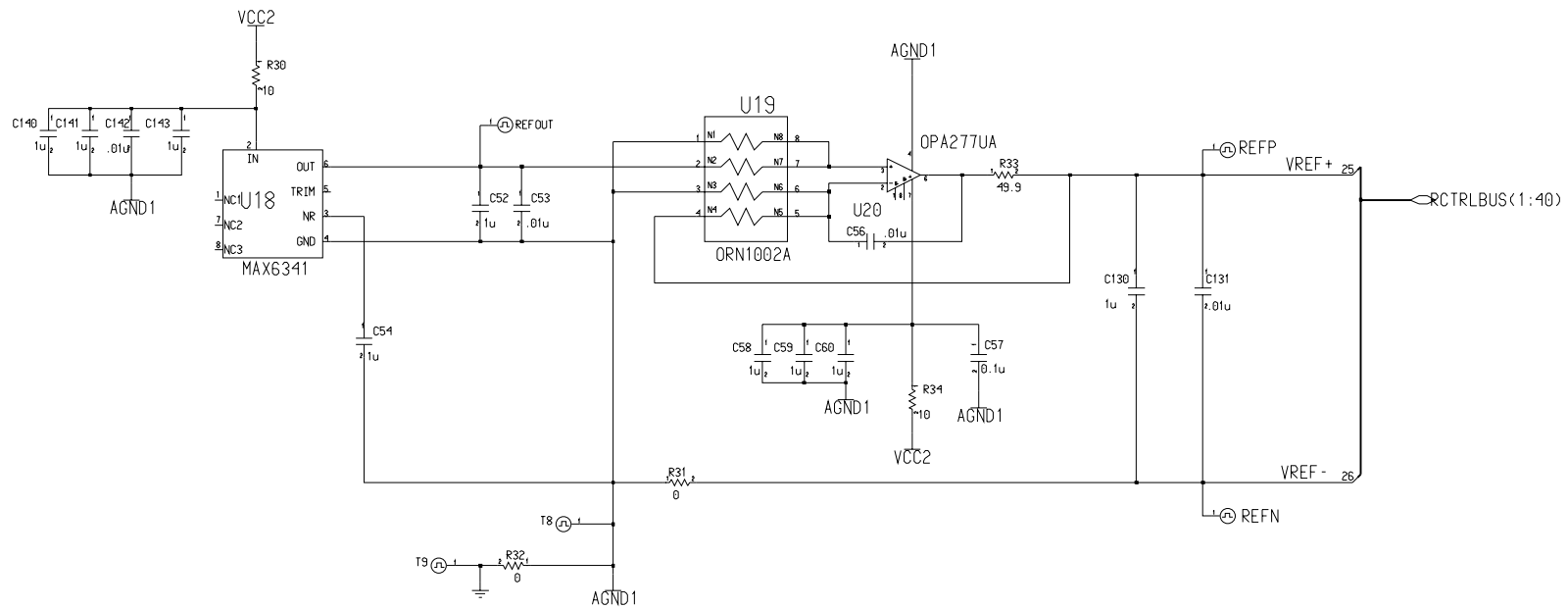
UNIVERSITY OF CHICAGO
ELECTRONICS DEVELOPMENT GROUP

TITLE
MB3 REPEATER & DECODER

SHEET 2 OF 5
DATE 12-2-99
DRWN TANG

C-2315
REV 3.1

DATE	REVISION	DESCRIPTION

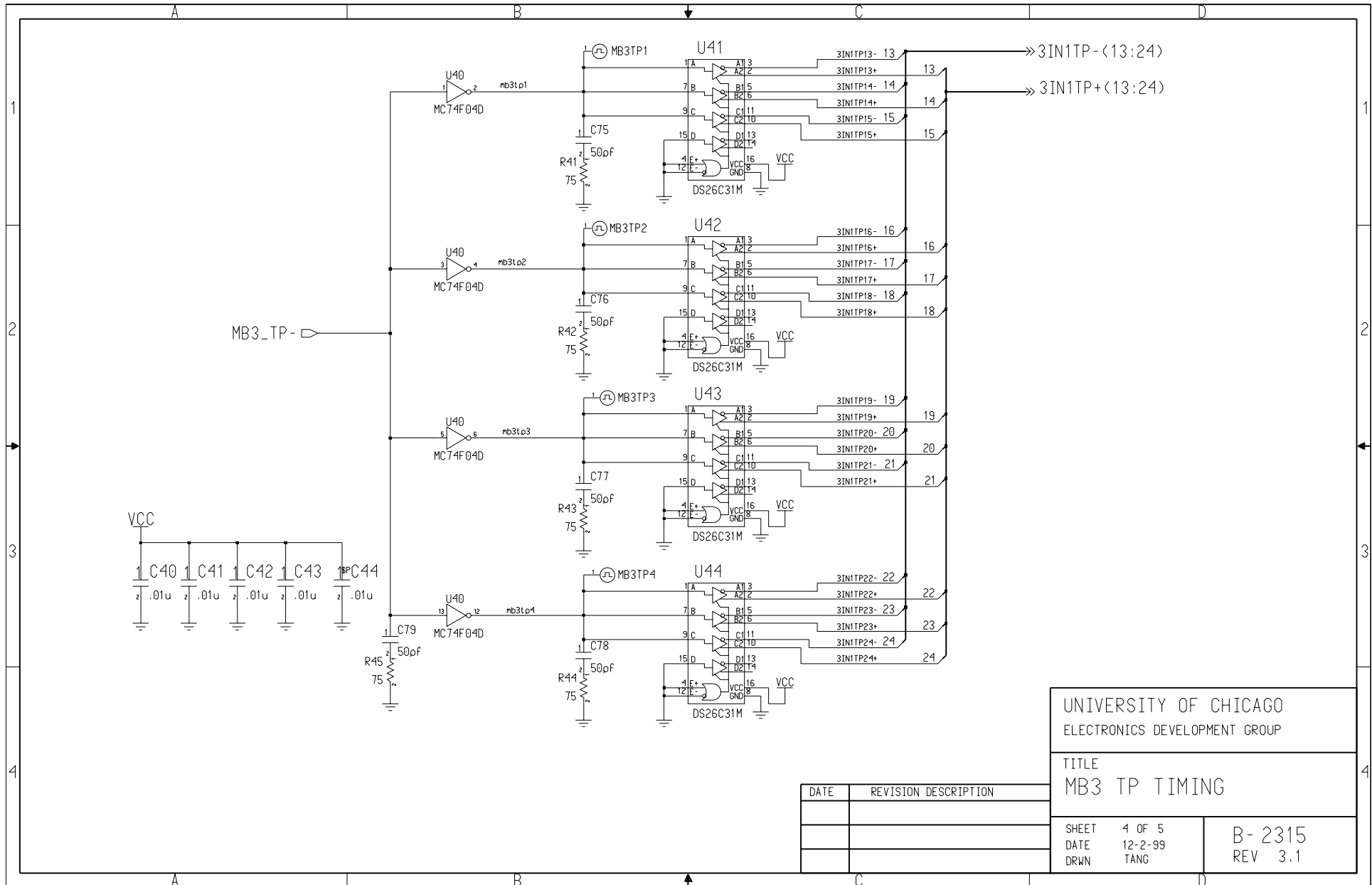


UNIVERSITY OF CHICAGO
ELECTRONICS DEVELOPMENT GROUP

TITLE
MB3 Reference

DATE	REVISION DESCRIPTION

SHEET 3 OF 5	C-2315
DATE 12-6-99	REV 3.1
DRWN Temp	

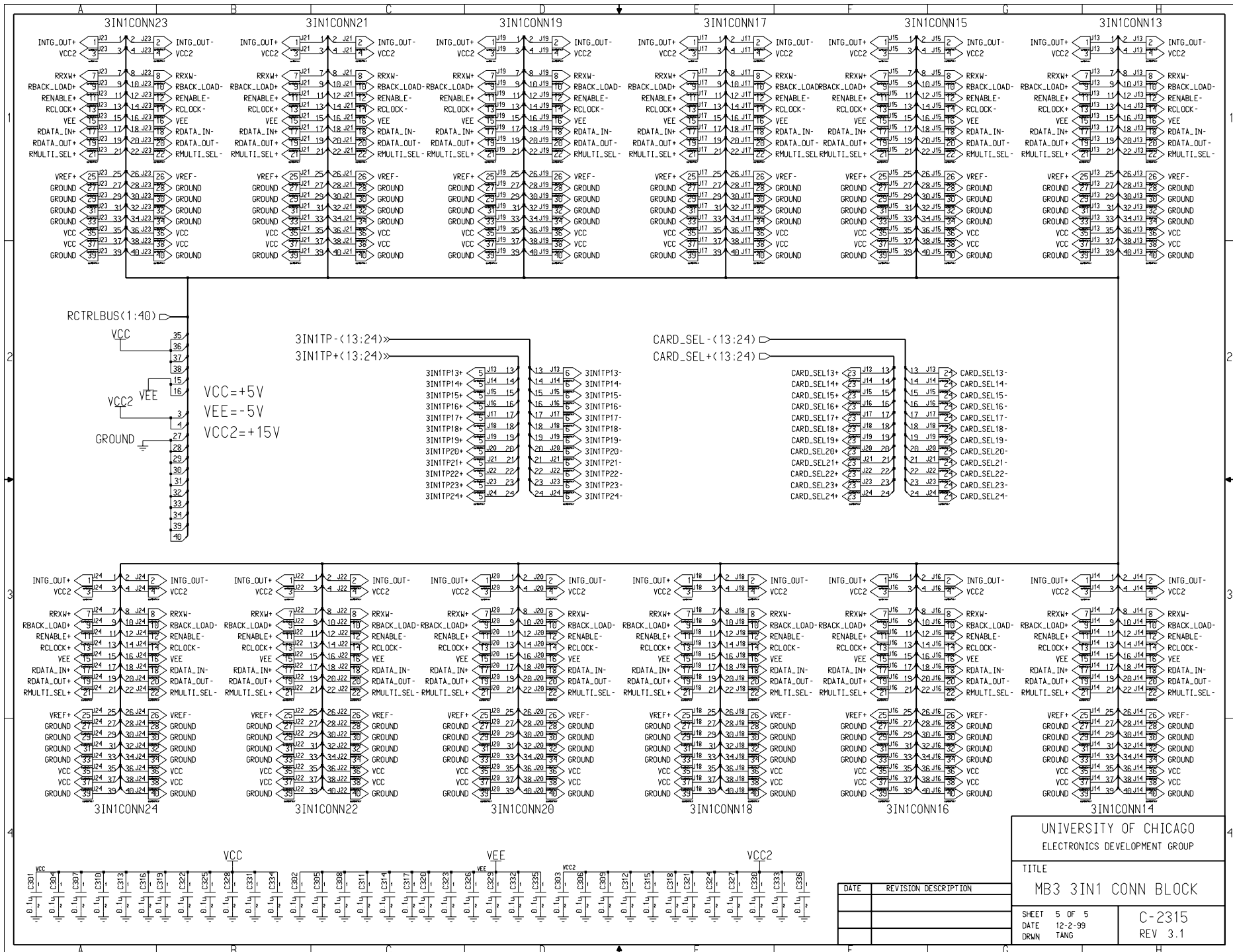


UNIVERSITY OF CHICAGO
ELECTRONICS DEVELOPMENT GROUP

TITLE
MB3 TP TIMING

DATE	REVISION	DESCRIPTION

SHEET	4 OF 5	B-2315 REV 3.1
DATE	12-2-99	
DRWN	TANG	



UNIVERSITY OF CHICAGO
ELECTRONICS DEVELOPMENT GROUP

TITLE
MB3 31IN CONN BLOCK

DATE	REVISION	DESCRIPTION

SHEET 5 OF 5	C-2315
DATE 12-2-99	REV 3.1
DRWN TANG	