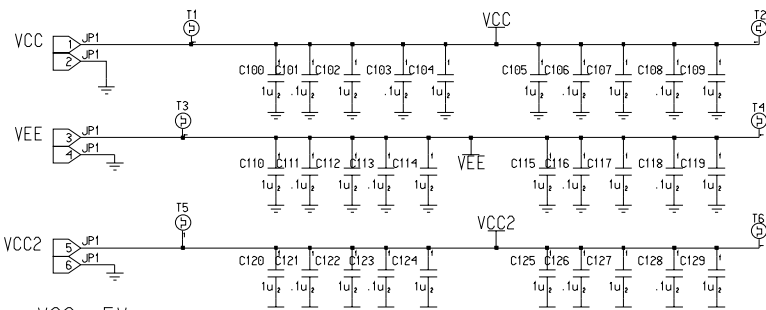
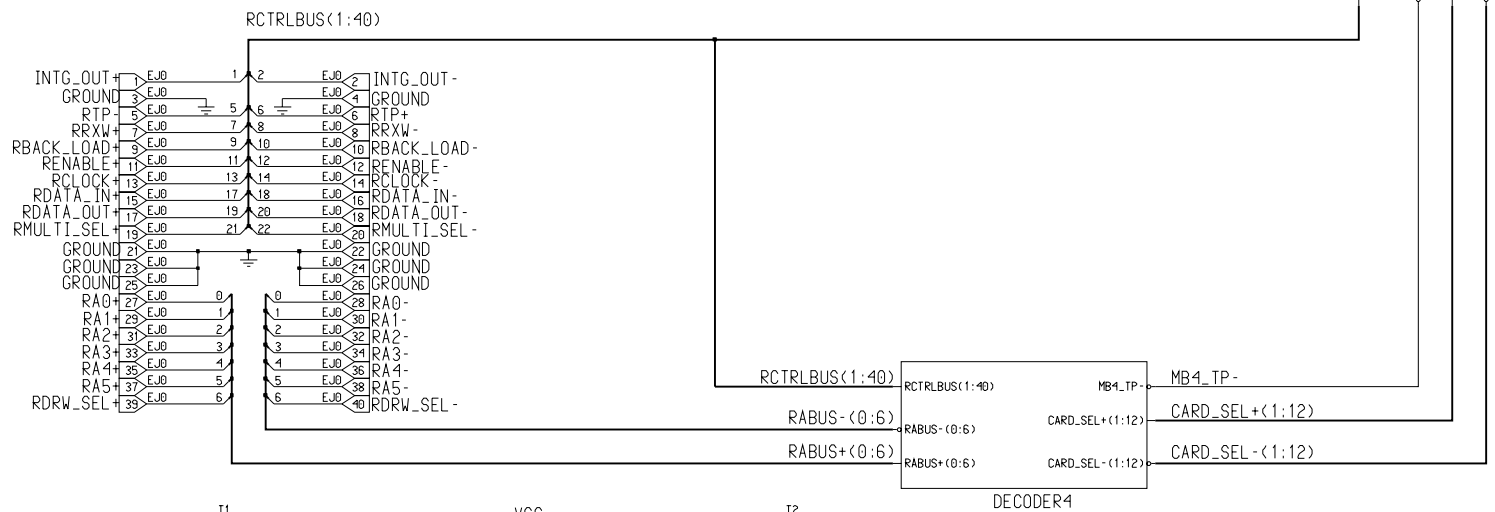
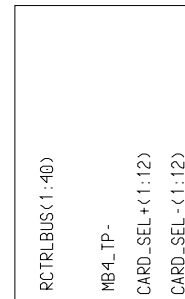
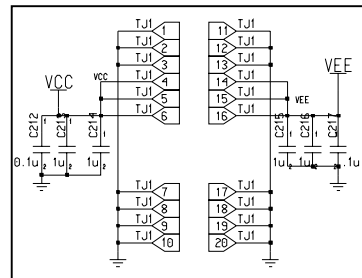
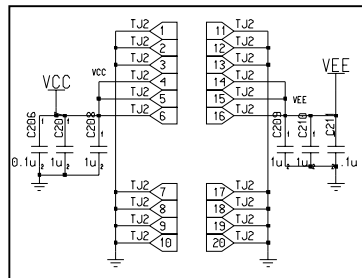
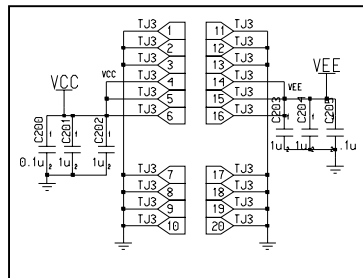


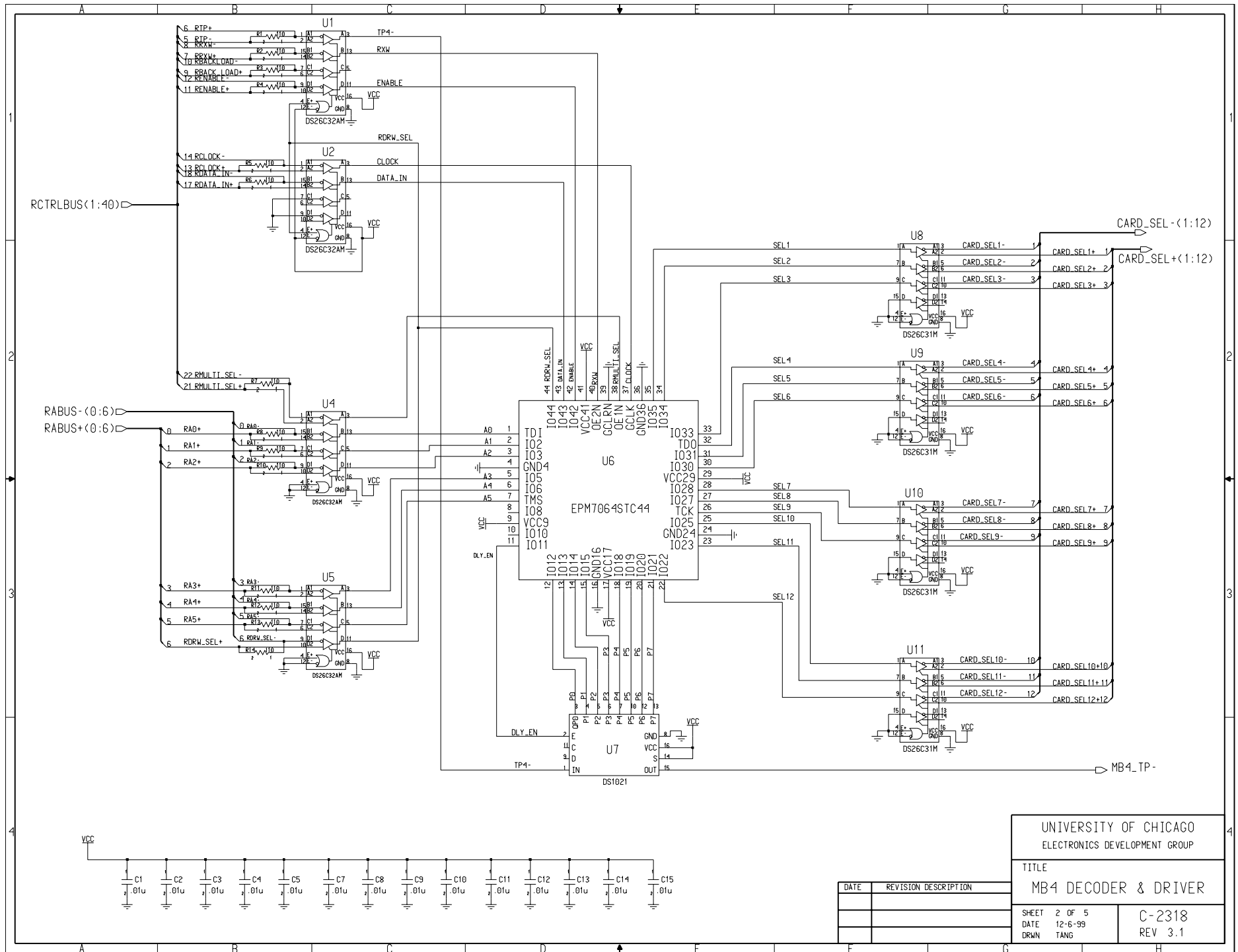
TJ8, TJ9, TJ10: Interconnectors between MB2 and Trigger Cards



VCC=+5V  
VEE=-5V  
VCC2=+15V

UNIVERSITY OF CHICAGO ELECTRONICS DEVELOPMENT GROUP	
TITLE MB4 DIAGRAM	
SHEET 1 OF 5	C-2318
DATE 12-6-99	REV 3.1
DRWN TANG	

DATE	REVISION DESCRIPTION

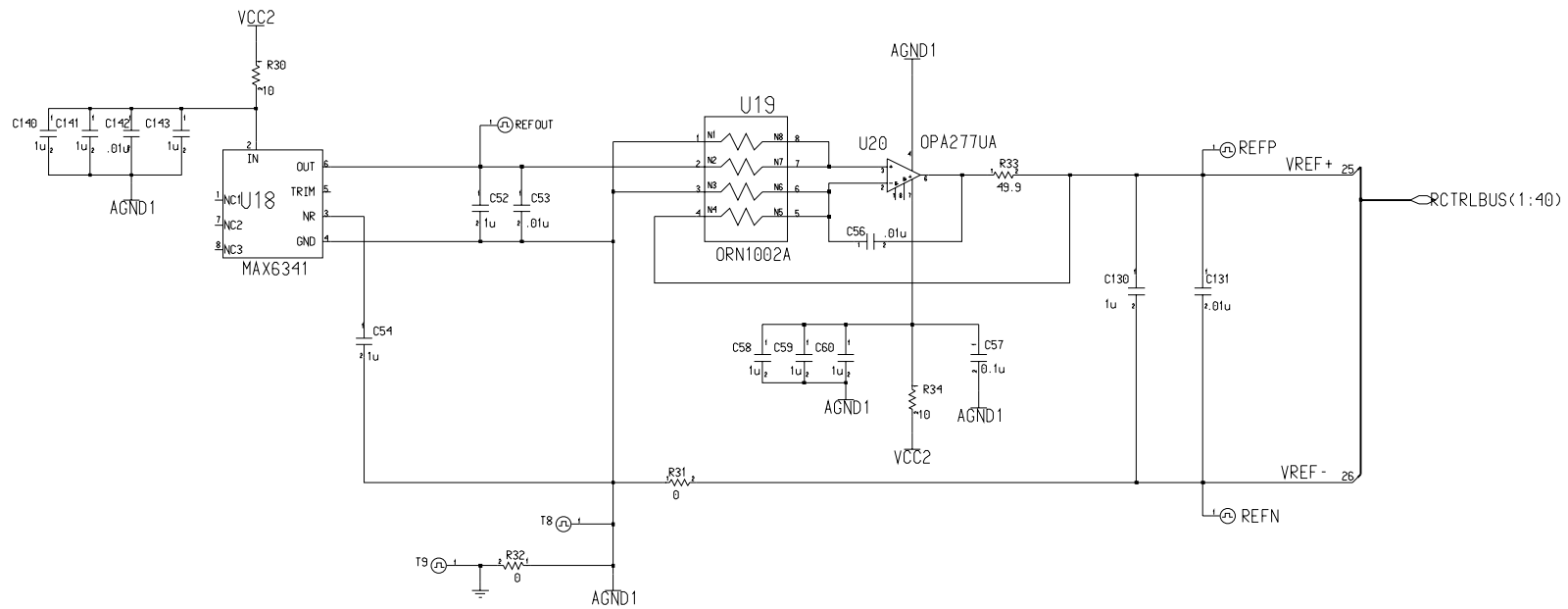


UNIVERSITY OF CHICAGO  
ELECTRONICS DEVELOPMENT GROUP

TITLE  
MB4 DECODER & DRIVER

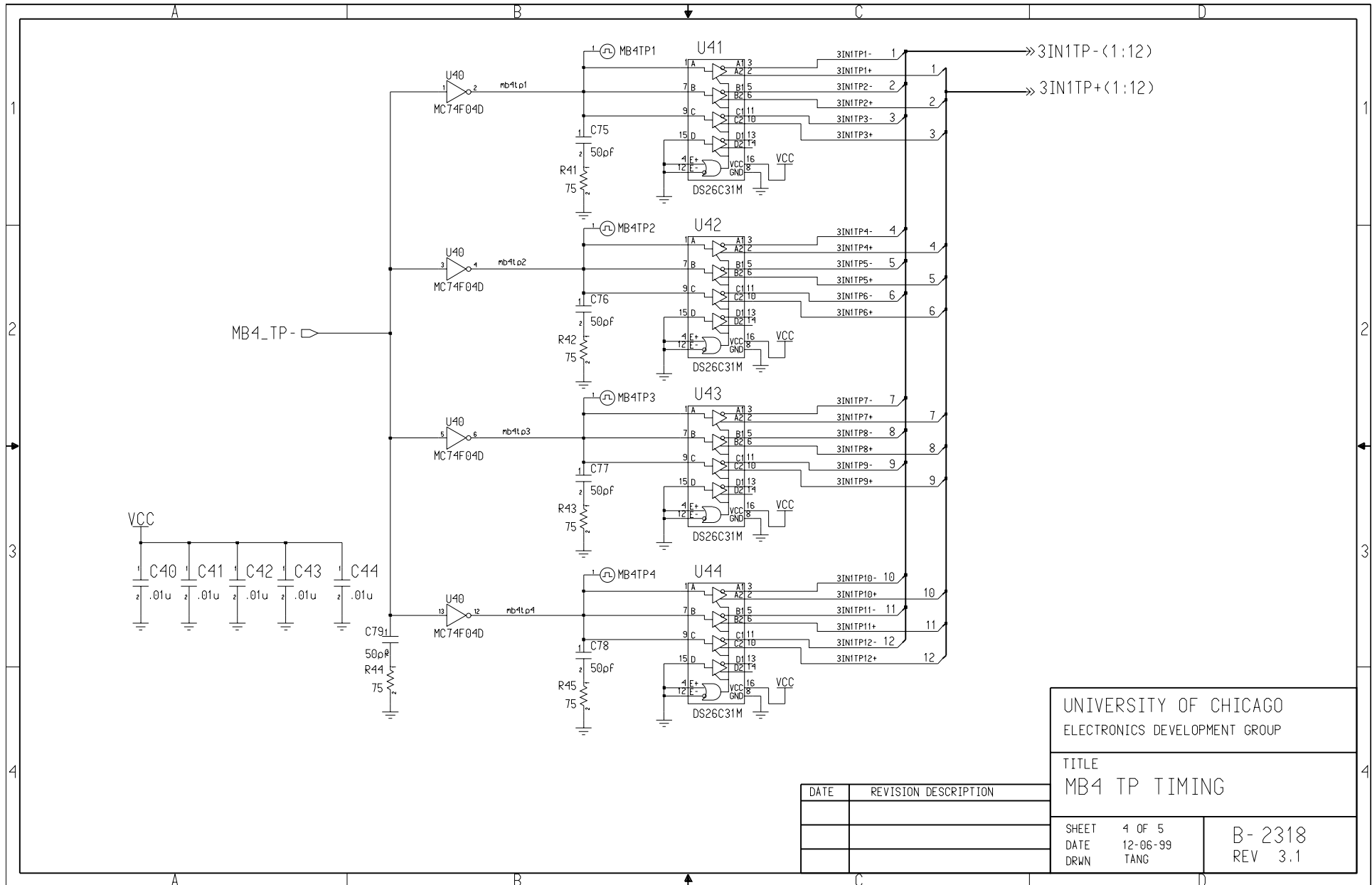
DATE	REVISION	DESCRIPTION

SHEET 2 OF 5	C-2318
DATE 12-6-99	
DRWN TANG	REV 3.1



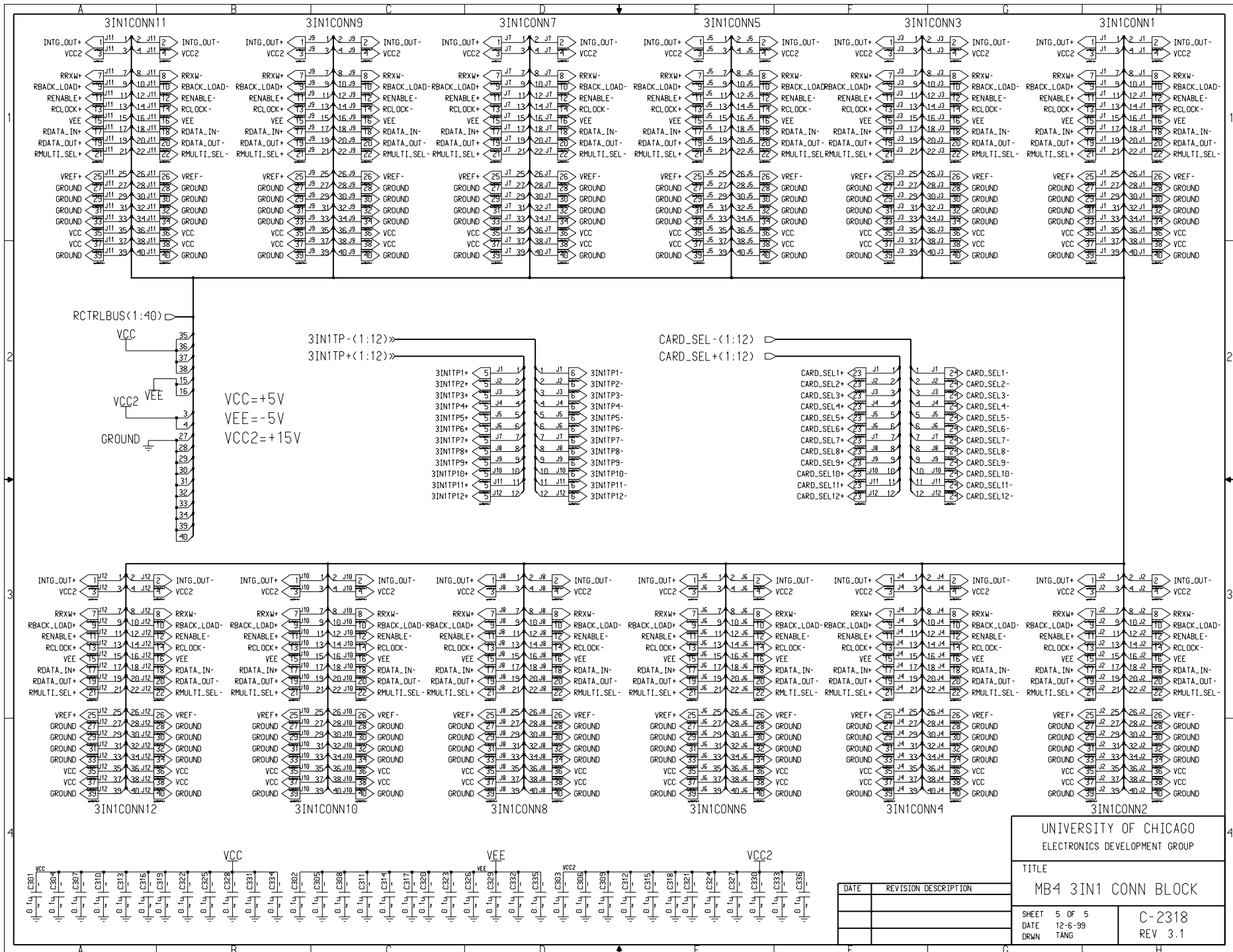
UNIVERSITY OF CHICAGO ELECTRONICS DEVELOPMENT GROUP	
TITLE MB4 Reference	
SHEET 3 OF 5	C-2318
DATE 12-6-99	REV 3.1
DRWN Temp	

DATE	REVISION DESCRIPTION



UNIVERSITY OF CHICAGO ELECTRONICS DEVELOPMENT GROUP	
TITLE MB4 TP TIMING	
SHEET 4 OF 5	B-2318
DATE 12-06-99	REV 3.1
DRWN TANG	

DATE	REVISION DESCRIPTION



UNIVERSITY OF CHICAGO  
ELECTRONICS DEVELOPMENT GROUP

TITLE  
MB4 3IN1 CONN BLOCK

DATE	REVISION	DESCRIPTION

SHEET 5 OF 5  
DATE 12-6-99  
DRAW TANG

C-2318  
REV 3.1