

3IN1BUS(1..40)

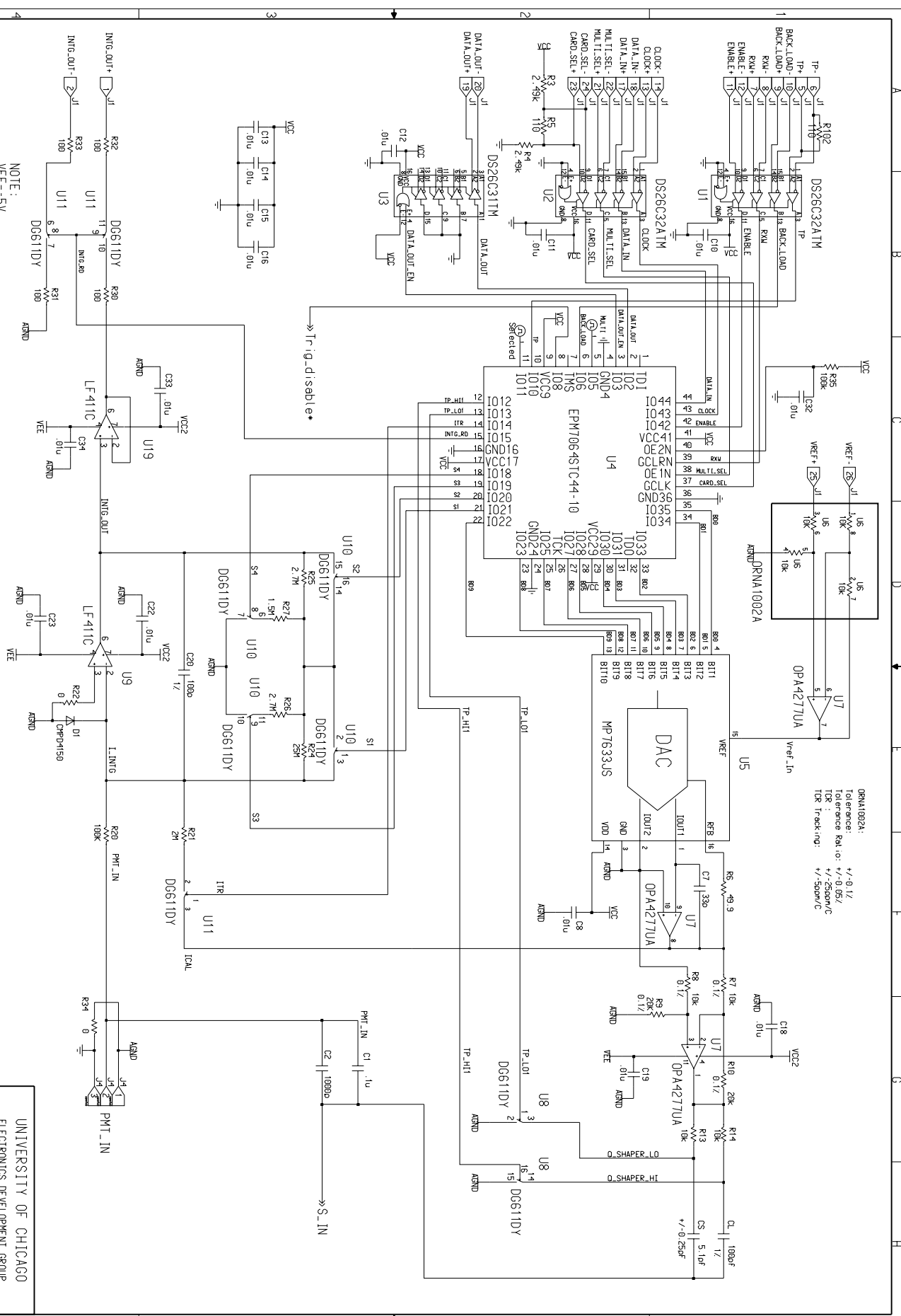
VEE = -5V
 VCC = +5V
 AVCC = +5V
 VCC2 = +15V

SCHM#: B-2381 V3.2C
 SPEC#: B-2382 V3.2C
 ASSM#: B-2383 V3.2C

DATE	REVISION DESCRIPTION

TITLE
 3IN1 Bigain Card
 UNIVERSITY OF CHICAGO
 ELECTRONICS DEVELOPMENT GROUP

SHEET 1 OF 4
 DATE 2-1-2000
 DRN Tang
 B-2381
 REV V3.2C



ORNA1002A:
 Tolerance: +/-0.1%
 Tolerance Rel. o: +/-0.05%
 TCR: +/-250ppm/C
 TCR Track-Ind: +/-50ppm/C

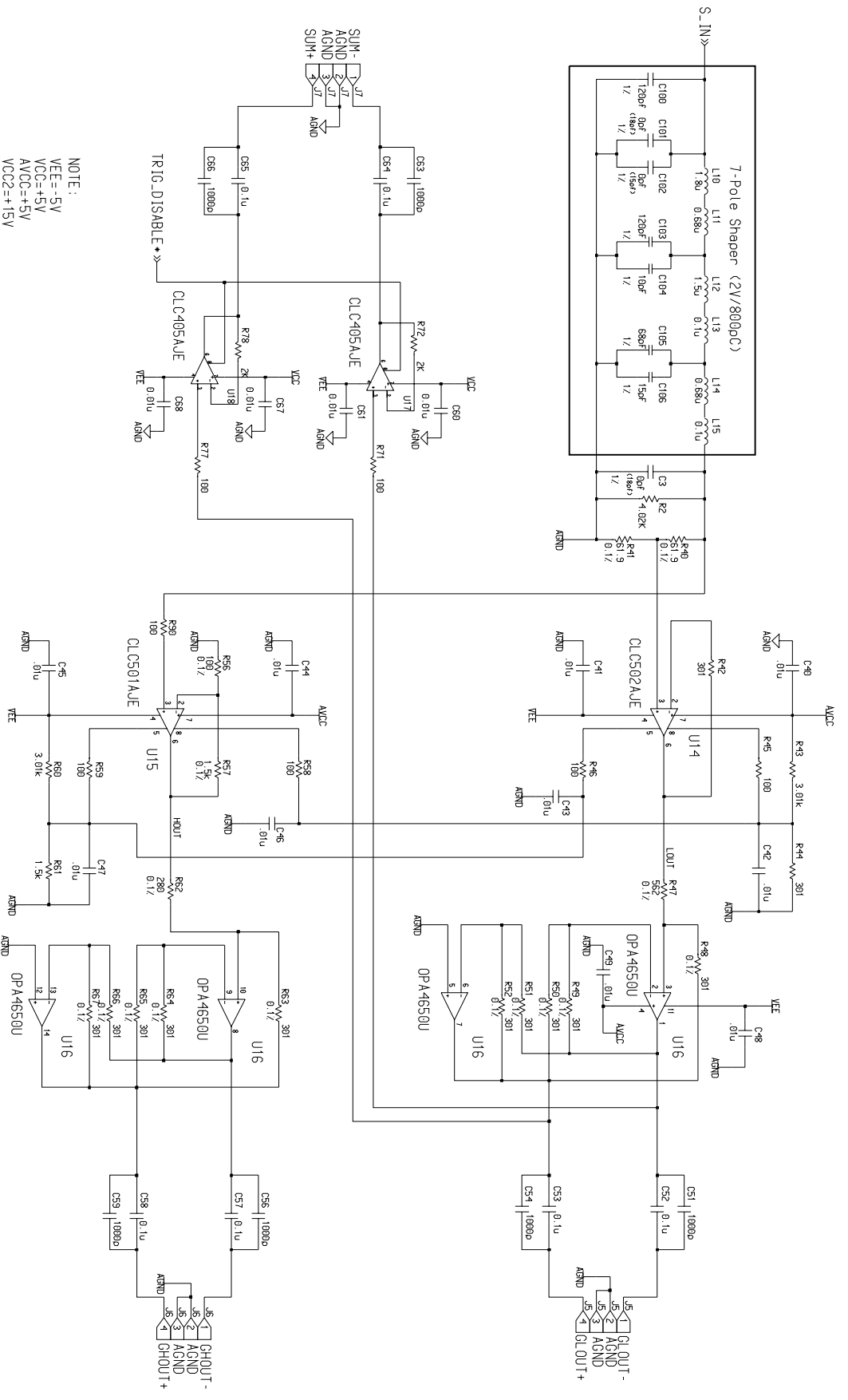
NOTE:
 VEE=-5V
 VCC=+5V
 AVCC=+5V
 VCC2=+15V
 All resistors are +/-1%, unless otherwise noted
 All capacitors are +/-10%, 50V, unless otherwise noted

SCMH# : B-2381 V3.2C
 SPECH# : B-2382 V3.2C
 ASSM# : B-2383 V3.2C

DATE	REVISION DESCRIPTION

TITLE
 31N1 B/gain Card
 UNIVERSITY OF CHICAGO
 ELECTRONICS DEVELOPMENT GROUP

SHEET 2 OF 4
 DATE 2-1-2000
 REV 13.2C

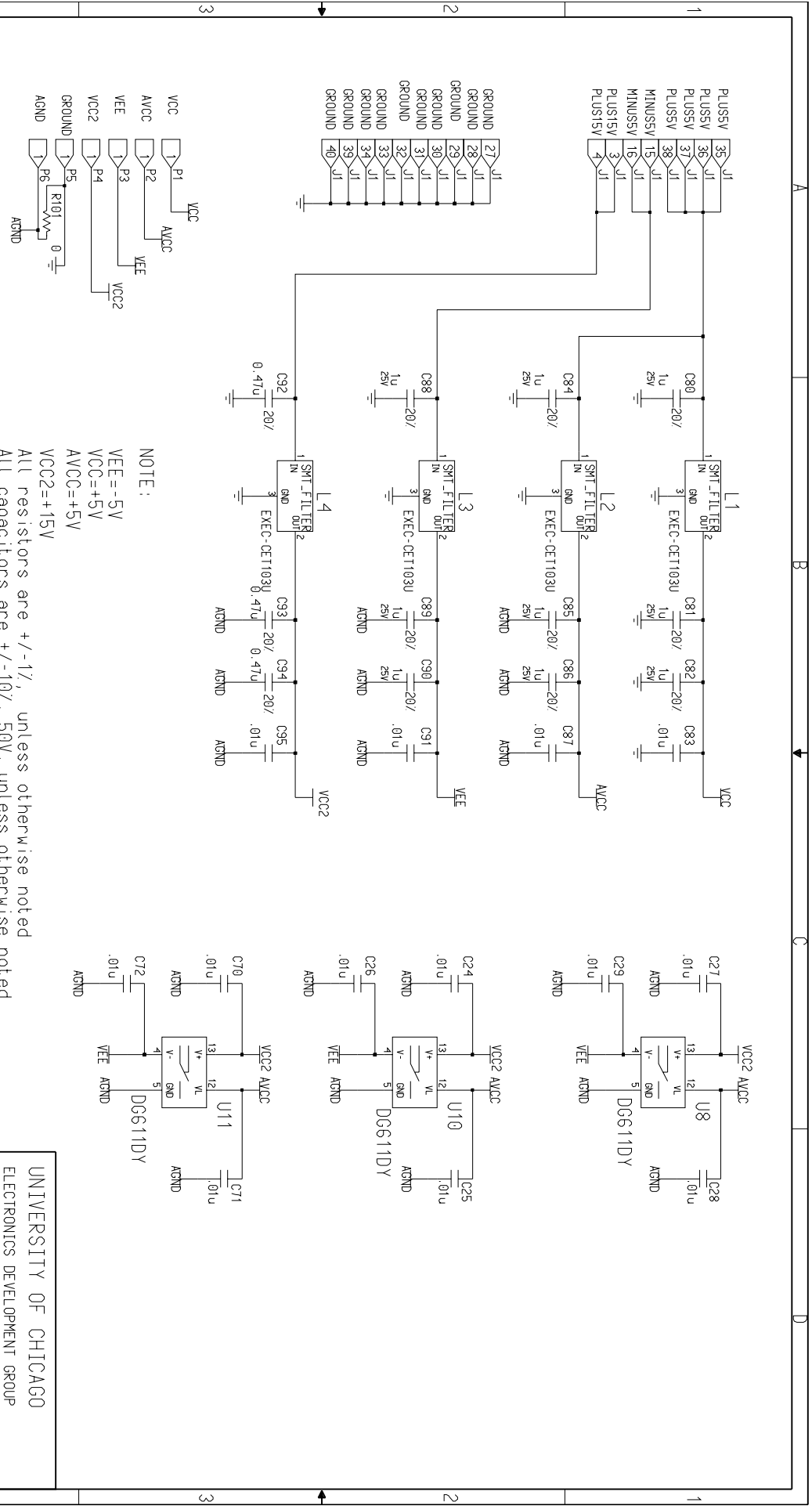


NOTE:
 VEE=-5V
 VCC=+5V
 AVCC=+5V
 VCC2=+15V

All resistors are +/- 1% unless otherwise noted
 All capacitors are +/- 10%, 50V, unless otherwise noted
 C101: 0pF, (design value 18pF) assume of PMT Co=31pF
 C101: 0pF, (design value 15pF) assume of PMT Co=31pF
 C3: 0pF, (design value 18pF) assume of Cl=18pF

SCHM#: B-2381 V3.2C
 SPEC#: B-2382 V3.2C
 ASSM#: B-2383 V3.2C

DATE	REVISION DESCRIPTION	TITLE
		3IN1 Bigrain Card
UNIVERSITY OF CHICAGO ELECTRONICS DEVELOPMENT GROUP		
SHEET 3 OF 4	DATE 2-1-2000	REV V3.2C
DRM	1cm	



NOTE:
 VEE=-5V
 VCC=+5V
 AVCC=+5V
 VCC2=+15V
 All resistors are +/-1%, unless otherwise noted
 All capacitors are +/-10%, 50V, unless otherwise noted
 P1-P6 are test points

SCHM#: B-2381 V3.2C
 SPEC#: B-2382 V3.2C
 ASSM#: B-2383 V3.2C

DATE	REVISION DESCRIPTION

UNIVERSITY OF CHICAGO
 ELECTRONICS DEVELOPMENT GROUP

TITLE
 3IN1 Bigain Card

SHEET 4 OF 4
 DATE 2-1-2000
 DRPN Tang

B-2381
 REV V3.2C