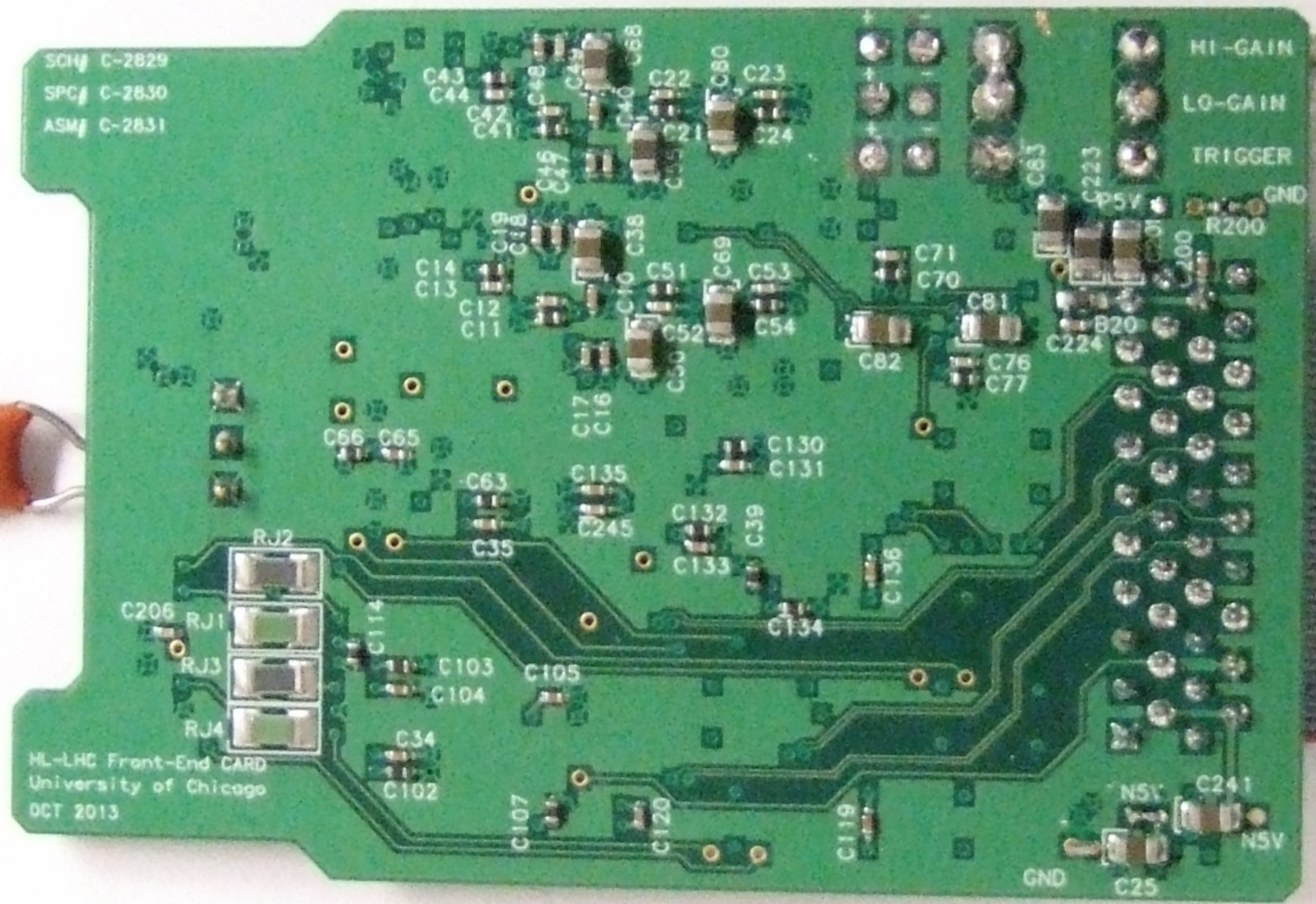


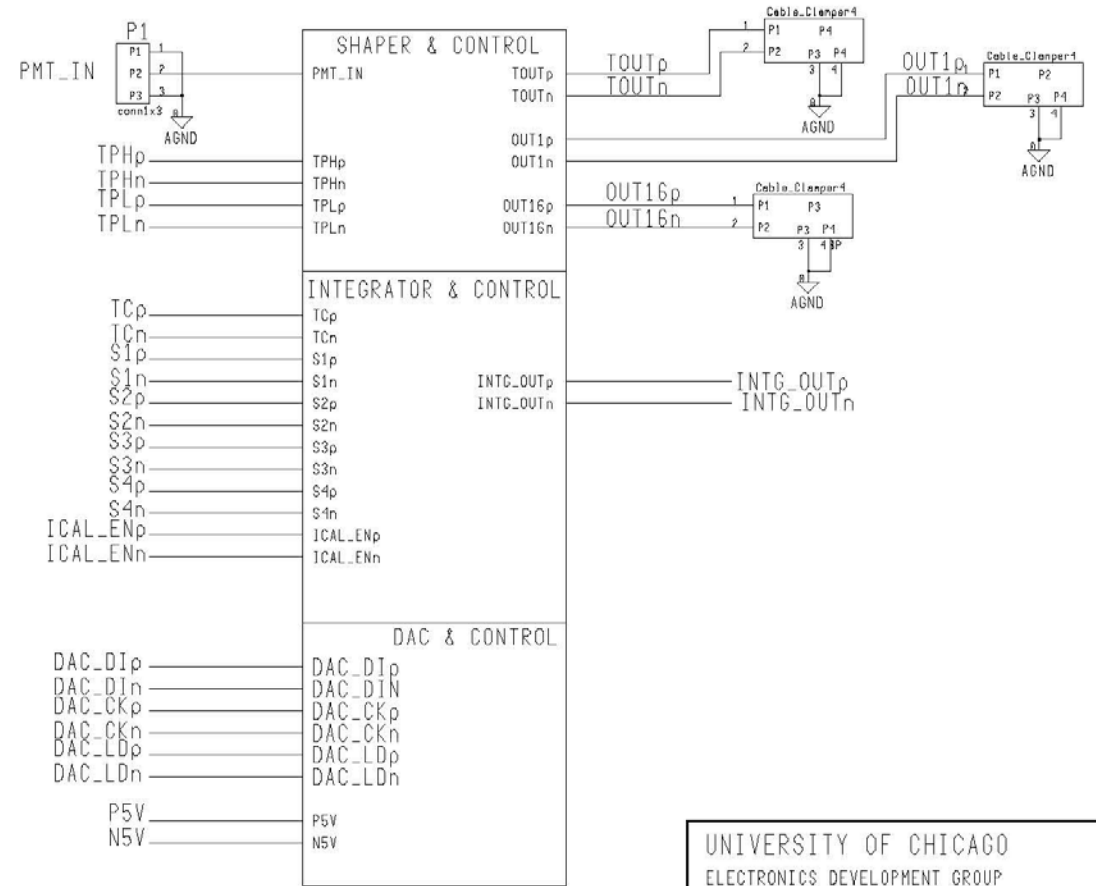
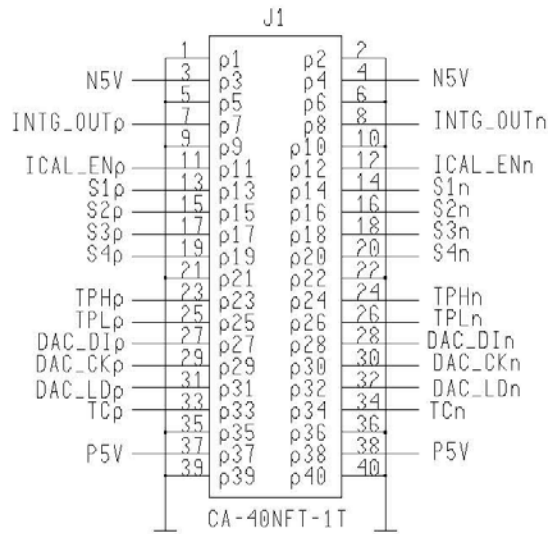


SCM C-2829  
SPC C-2830  
ASM C-2831

HI-GAIN  
LO-GAIN  
TRIGGER  
GND

HL-LHC Front-End CARD  
University of Chicago  
OCT 2013





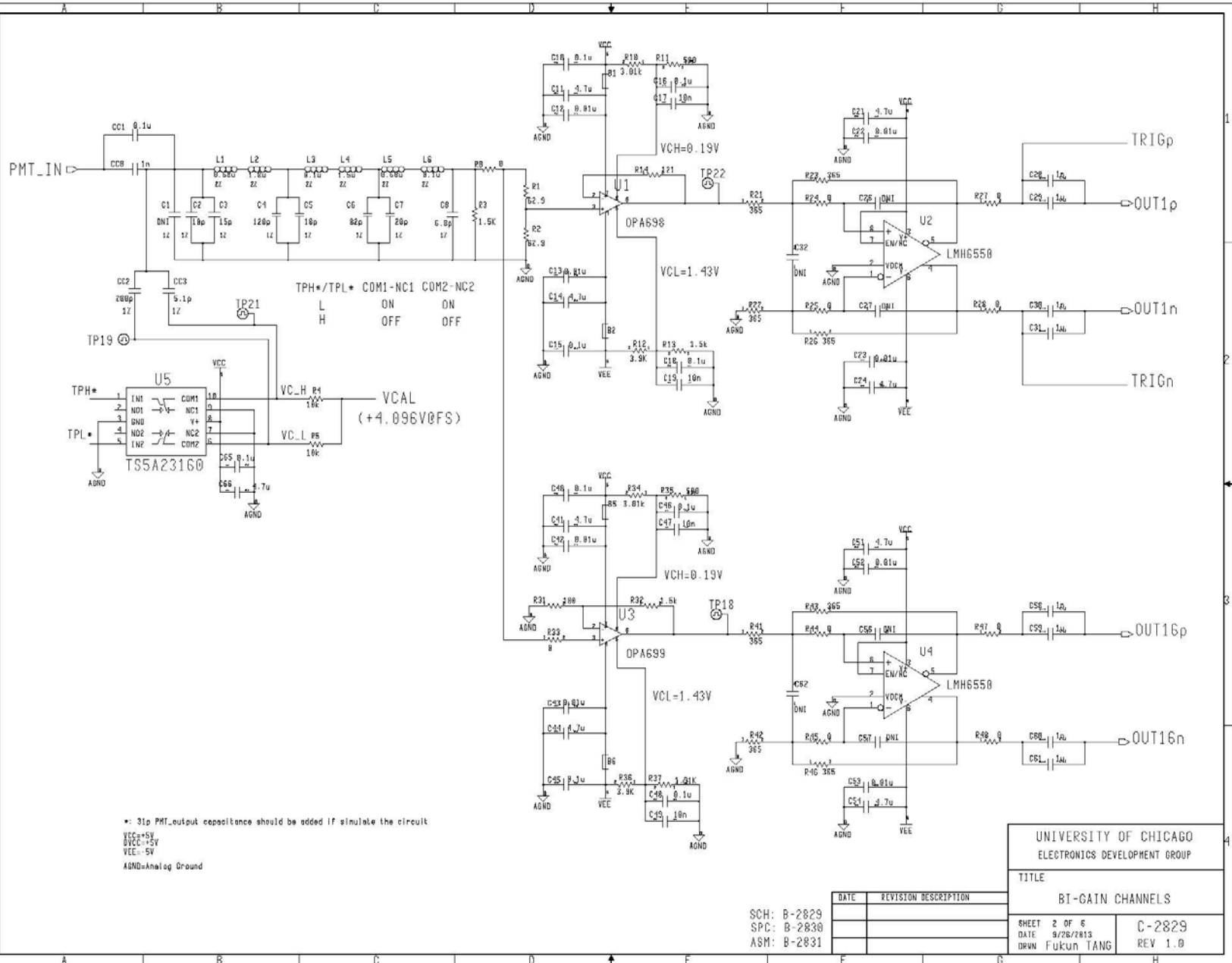
UNIVERSITY OF CHICAGO  
ELECTRONICS DEVELOPMENT GROUP

TITLE  
HL-LHC TileCal FE CARD

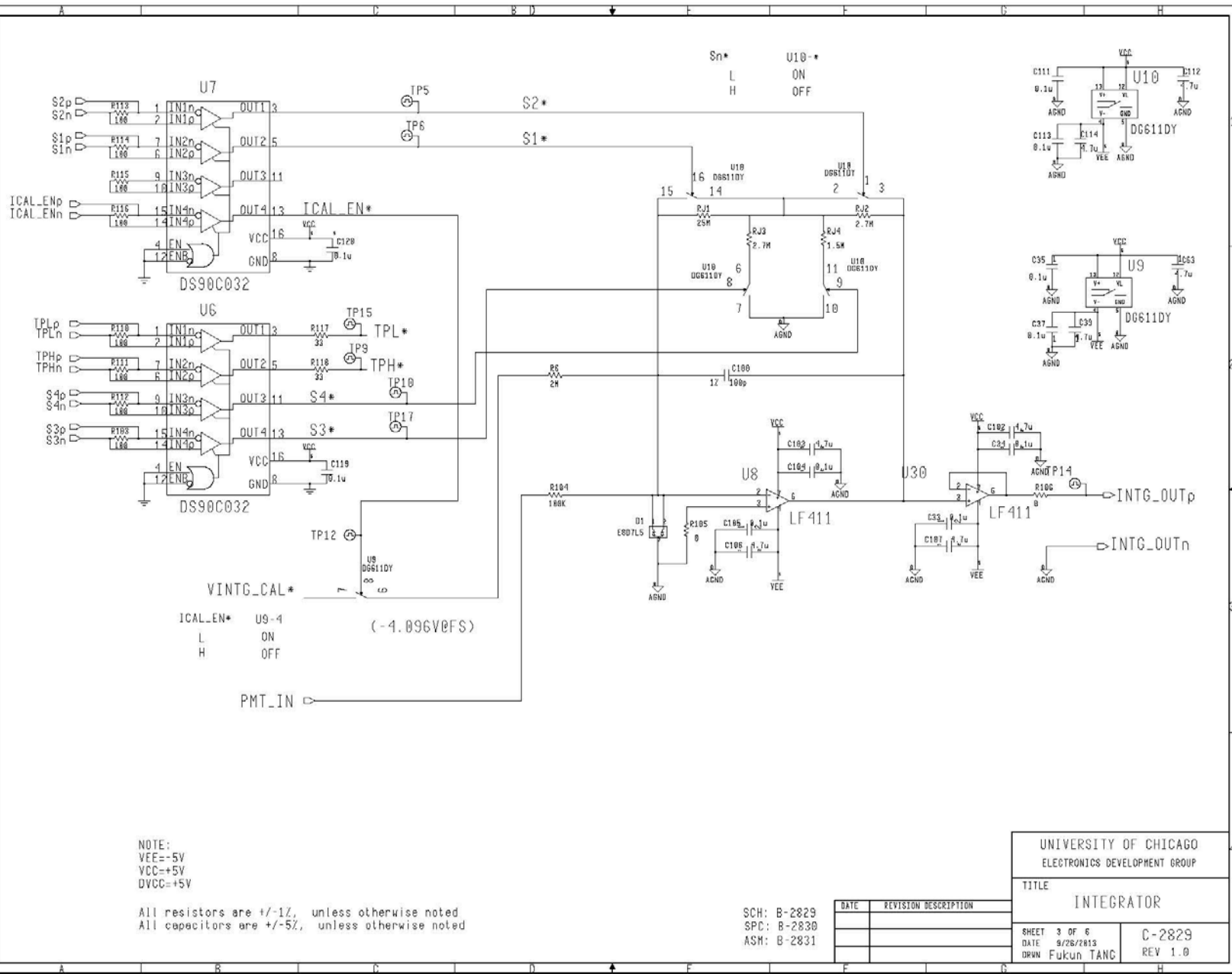
|       |            |                   |
|-------|------------|-------------------|
| SHEET | 1 OF 6     | C-2829<br>REV 1.0 |
| DATE  | 9/26/2013  |                   |
| DRWN  | Fukun TANG |                   |

SCH: B-2829  
SPC: B-2830  
ASM: B-2831

| DATE | REVISION DESCRIPTION |
|------|----------------------|
|      |                      |
|      |                      |
|      |                      |



|  |                      |
|--|----------------------|
| UNIVERSITY OF CHICAGO<br>ELECTRONICS DEVELOPMENT GROUP |                      |
| TITLE<br>BI-GAIN CHANNELS                              |                      |
| DATE   | REVISION DESCRIPTION |
| SCH: B-2829  |                      |
| SPC: B-2830  |                      |
| ASM: B-2831  |                      |
| SHEET 2 OF 6   | C-2829               |
| DATE 9/26/2013   | REV 1.0              |
| DRWN Fukun TANG  |                      |



NOTE:  
 VEE=-5V  
 VCC=+5V  
 DVCC=+5V

All resistors are +/-1%, unless otherwise noted  
 All capacitors are +/-5%, unless otherwise noted

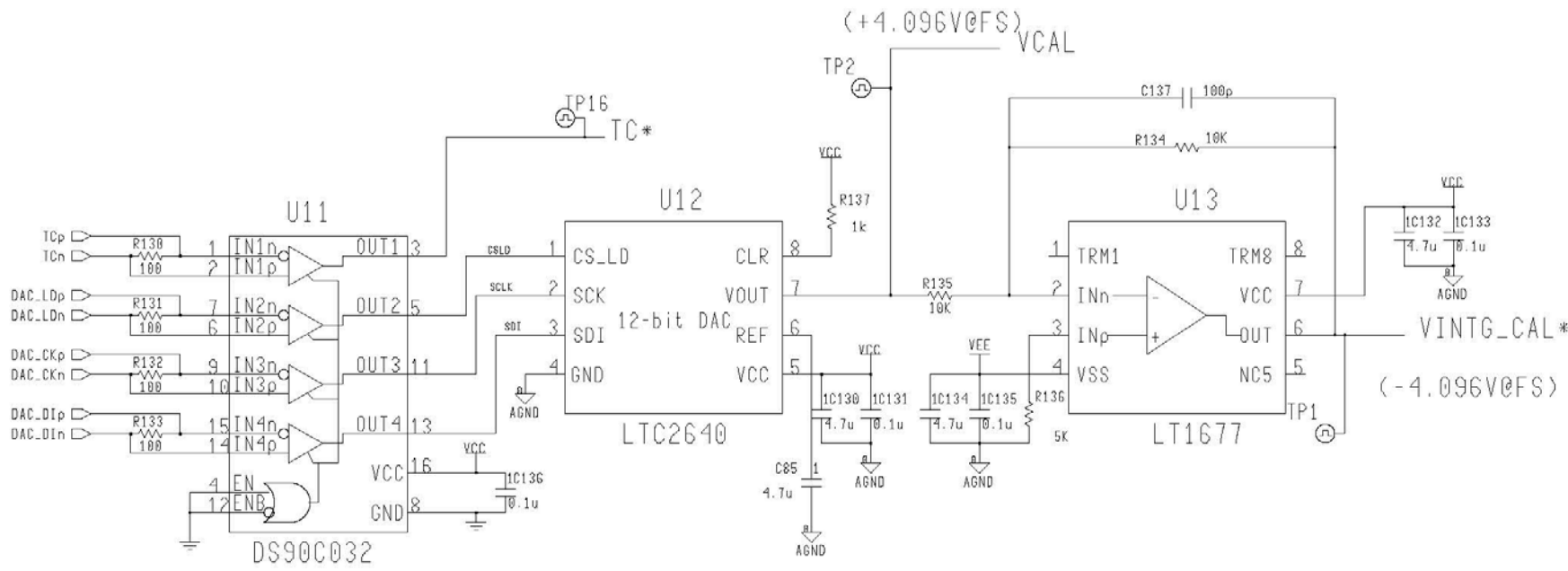
ICAL\_EN\* U9-4  
 L ON  
 H OFF

(-4.096V0FS)

SCH: B-2829  
 SPC: B-2830  
 ASH: B-2831

| DATE | REVISION DESCRIPTION |
|------|----------------------|
|      |                      |
|      |                      |
|      |                      |

|  |                   |
|--|-------------------|
| UNIVERSITY OF CHICAGO<br>ELECTRONICS DEVELOPMENT GROUP |                   |
| TITLE<br><b>INTEGRATOR</b>                             |                   |
| SHEET 3 OF 6<br>DATE 9/26/2013<br>DRWN Fukun TANG      | C-2829<br>REV 1.0 |



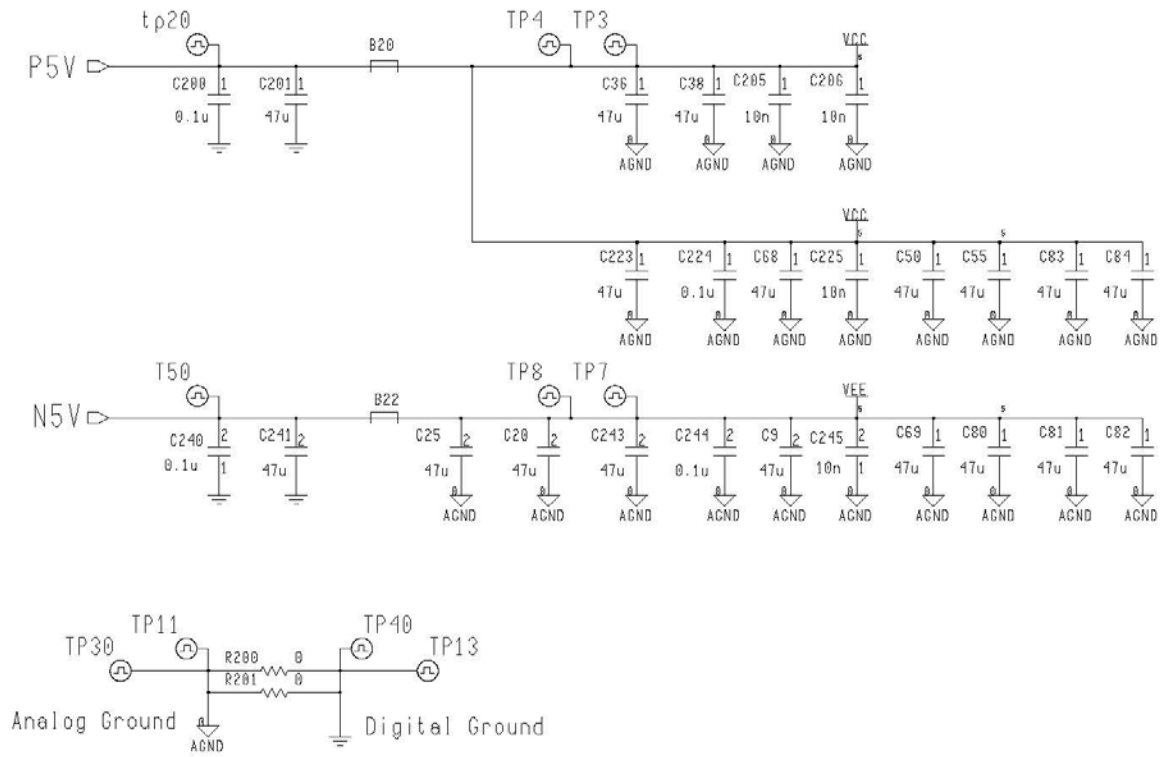
UNIVERSITY OF CHICAGO  
ELECTRONICS DEVELOPMENT GROUP

TITLE  
**DAC SETTINGS**

|      |                      |
|------|----------------------|
| DATE | REVISION DESCRIPTION |
|      |                      |
|      |                      |
|      |                      |

|                 |         |
|-----------------|---------|
| SHEET 4 OF 6    | C-2829  |
| DATE 9/26/2012  |         |
| DRWN Fukun TANG | REV 1.0 |

SCH: B-2829  
SPC: B-2830  
ASM: B-2831



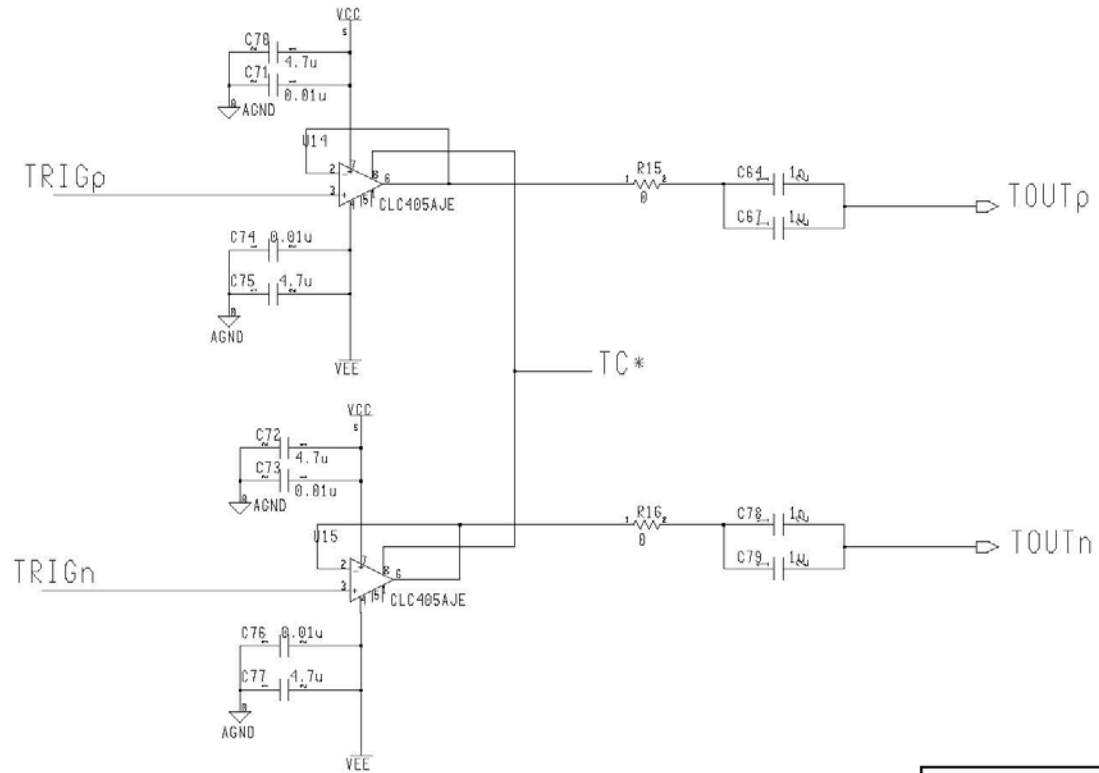
NOTE:  
VCC=+5V  
DVCC=+5V  
VEE=-5V

All resistors are +/-1%, unless otherwise noted  
All capacitors are +/-5%, unless otherwise noted

|  |                   |
|--|-------------------|
| UNIVERSITY OF CHICAGO<br>ELECTRONICS DEVELOPMENT GROUP |                   |
| TITLE<br>LV SUPPLIES                                   |                   |
| SHEET 50F 6  | C-2829<br>REV 1.0 |
| DATE 9/26/2013   |                   |
| DRWN Fukun TANG  |                   |

SCH: B-2829  
SPC: B-2830  
ASM: B-2831

| DATE | REVISION DESCRIPTION |
|------|----------------------|
|      |                      |
|      |                      |
|      |                      |



|  |                   |
|--|-------------------|
| UNIVERSITY OF CHICAGO<br>ELECTRONICS DEVELOPMENT GROUP |                   |
| TITLE<br>FEC ANALOG TRIGGER                            |                   |
| SHEET 6 OF 6<br>DATE 9/26/2013<br>DRWN Fukun TANG      | C-2829<br>REV 1.0 |

SCH: B-2829  
 SPC: B-2830  
 ASM: B-2831

| DATE | REVISION DESCRIPTION |
|------|----------------------|
|      |                      |
|      |                      |
|      |                      |